



# EC RACING 300cc 2012

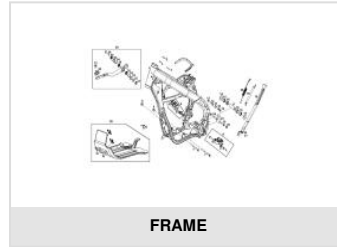
## Exploded



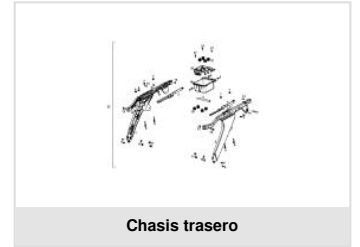
**Admisión**



**Amortiguador trasero**



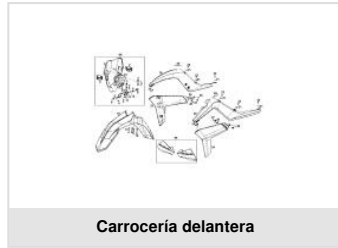
**FRAME**



**Chasis trasero**



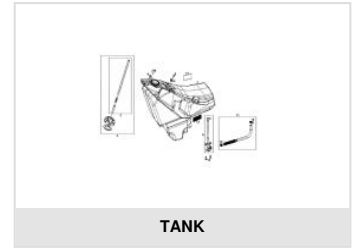
**STICKERS**



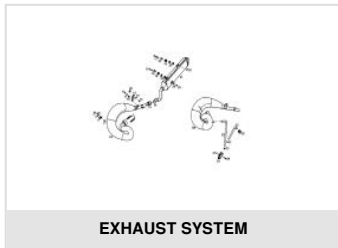
**Carrocería delantera**



**Carrocería trasera**



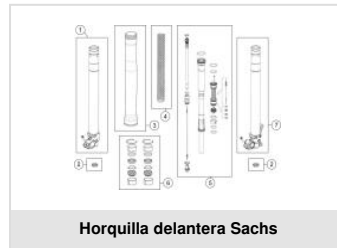
**TANK**



**EXHAUST SYSTEM**



**Horquilla delantera**



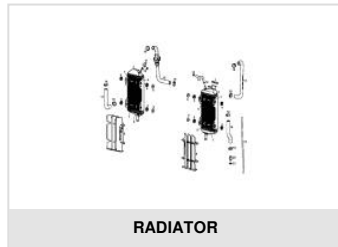
**Horquilla delantera Sachs**



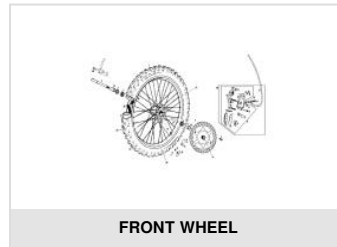
**Horquilla trasera**



**HANDLEBAR**



**RADIATOR**



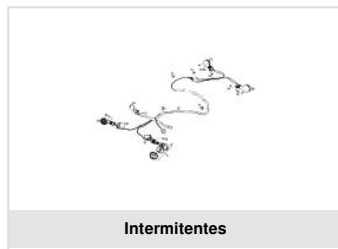
**FRONT WHEEL**



**REAR WHEEL**



**Conjunto de cables**

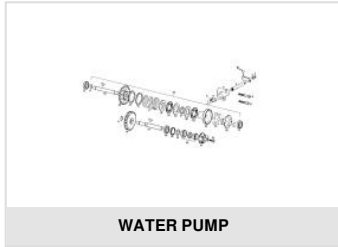


**Intermitentes**

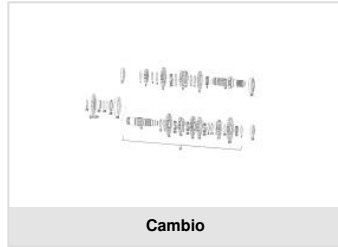


**Herramientas de asistencia**

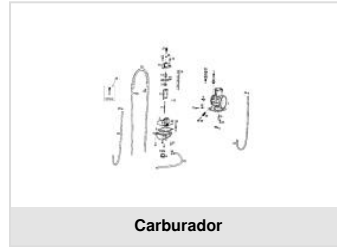
**EC 250-300 RACING 2012- Engine**



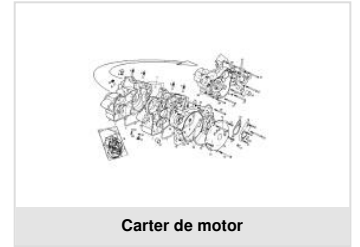
**WATER PUMP**



**Cambio**



**Carburador**



**Carter de motor**



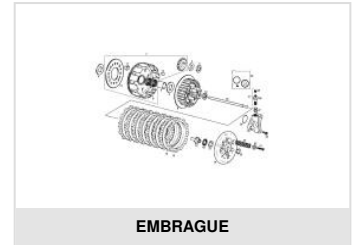
**Cigüeñal**



**Cilindro**



**Eje de cambio**



**EMBRAGUE**



**Generador**

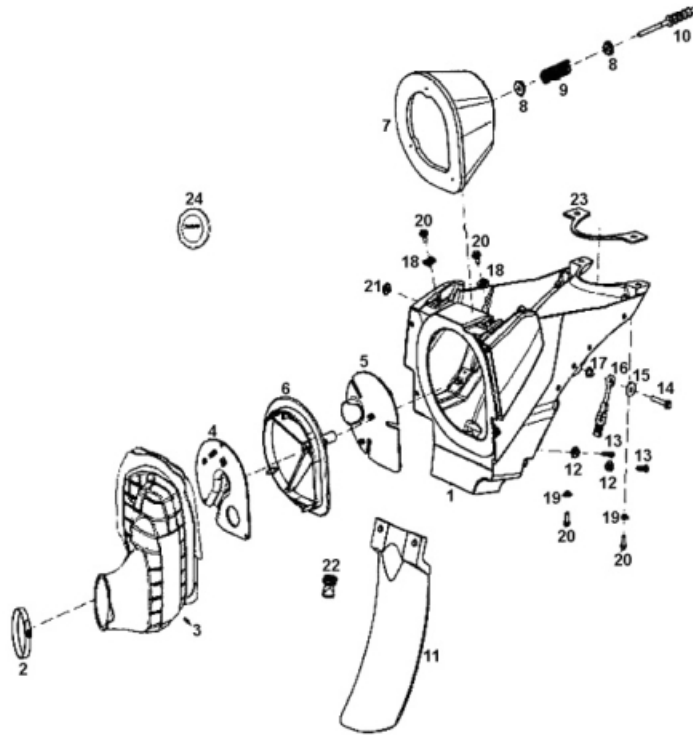


**Palanca de arranque**



**Válvula de láminas**

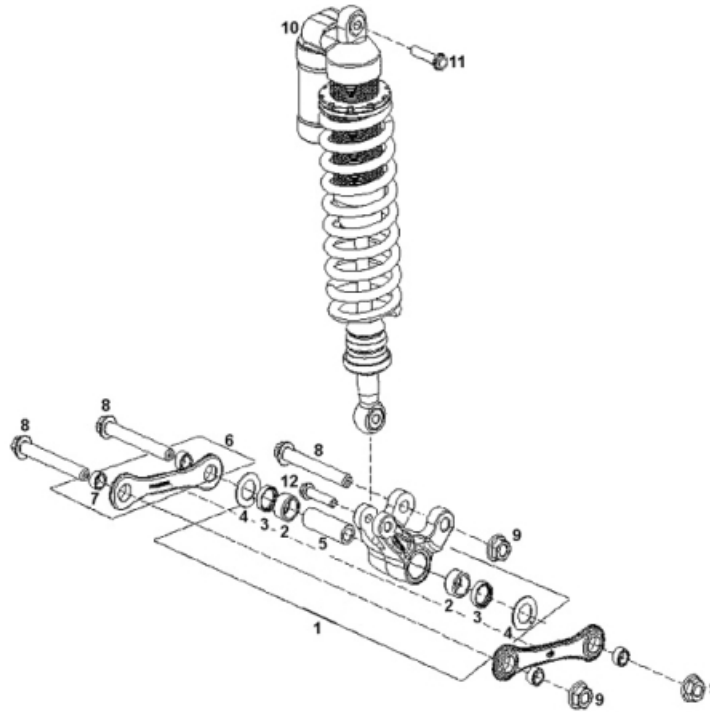
**Admisión**



1	<ul style="list-style-type: none"> <li>● AIR BOX TWIN AIR ENDURO 2012 ME25000113012 (u. 1)</li> </ul>	
2	<ul style="list-style-type: none"> <li>● CLAMP 50-70/9 INOX FE 0/000.680.9101 (u. 1)</li> </ul>	
3	<ul style="list-style-type: none"> <li>● ABRAZ.50-70/9 W2 FILTRO AIRE/CARB. BE250328033 (u. 1)</li> </ul>	<b>OBSOLETE</b>
4	<ul style="list-style-type: none"> <li>● RUBBER TUBE FILTER BOX BE250128017/2 (u. 1)</li> </ul>	
5	<ul style="list-style-type: none"> <li>● FILTER BOX AIR RESTRICTOR BE798002508 (u. 1)</li> </ul>	
6	<ul style="list-style-type: none"> <li>● REAR AIR FILTER RESTRICTION EC 2008 BE798052508 (u. 1)</li> </ul>	
7	<ul style="list-style-type: none"> <li>● AIR FILTER CARRIER BE250628002 (u. 1)</li> </ul>	
8	<ul style="list-style-type: none"> <li>● AIR FILTER EC2007 2T OEM158046X BE250728000 (u. 1)</li> </ul>	
9	<ul style="list-style-type: none"> <li>● AIR FILTER NYLON WASHER 0/000.440.9100 (u. 1)</li> <li>● ARAND.NYLON TOPE MUELLE C.FILTRO.EC-2007 BE250728052 (u. 1)</li> </ul>	<b>OBSOLETE</b>
	<ul style="list-style-type: none"> <li>● FILTER BOX SPRING 0/000.470.9105 (u. 1)</li> <li>● MUELLE VARILLA C.FILTRO.EC-2007 BE250728051 (u. 1)</li> </ul>	<b>OBSOLETE</b>

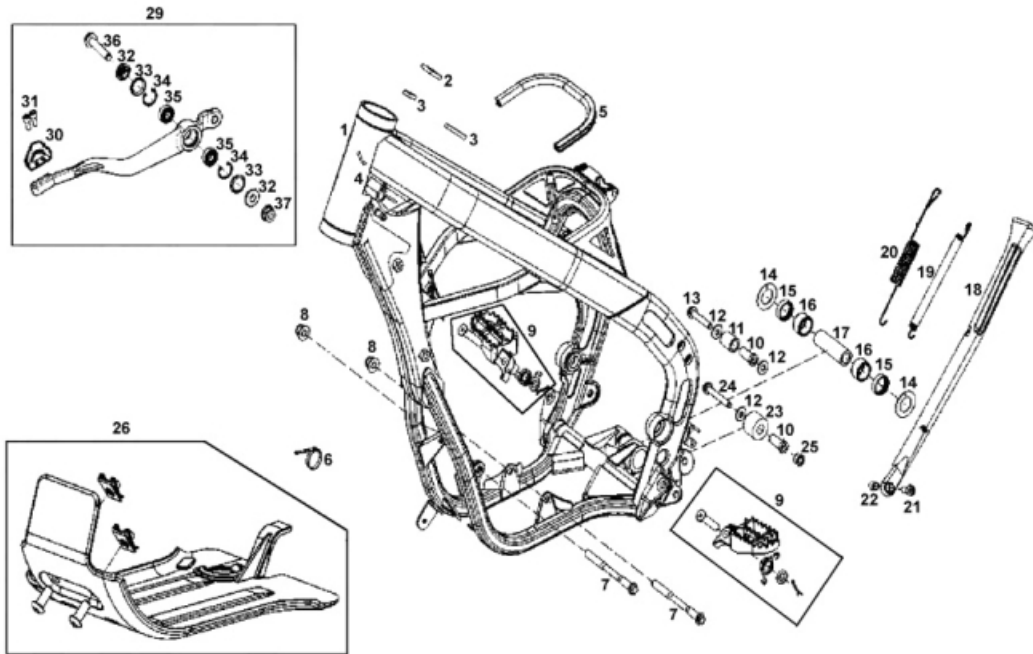
10	<ul style="list-style-type: none"> <li>VARILLA SOP.FILTRO DE AIRE MF25000032512 (u. 1)</li> </ul>	OBSOLETE
	<ul style="list-style-type: none"> <li>FILTER BOLT BE250728003 (u. 1)</li> </ul>	
	<ul style="list-style-type: none"> <li>FILTER SUPPORT ROD 0/000.980.9117 (u. 1)</li> </ul>	
11	<ul style="list-style-type: none"> <li>PROT.AMORT.EC 2018 BE79555GG-CLJ-1 (u. 1)</li> </ul>	OBSOLETE
	<ul style="list-style-type: none"> <li>PROT.SHOCK EC 2018 0/000.220.9117 (u. 1)</li> </ul>	
	<ul style="list-style-type: none"> <li>PROT.SUSP.TRAS.2740 BE25620008 (u. 1)</li> </ul>	
12	<ul style="list-style-type: none"> <li>EC2007 PROTECTOR SHOCK BUSHING BE250728059 (u. 1)</li> </ul>	
13	<ul style="list-style-type: none"> <li>TORN.ROSCA PLASTICO 4,5X20 RF77R EC-2007 BE250728058 (u. 1)</li> </ul>	OBSOLETE
14	<ul style="list-style-type: none"> <li>TORN.ESP.M6X35 T0206035 (u. 1)</li> </ul>	OBSOLETE
	<ul style="list-style-type: none"> <li>SPECIAL BOLT 6X35 DIN 6921 GEOMET 0/000.460.9124 (u. 1)</li> </ul>	
15	<ul style="list-style-type: none"> <li>BAG 5 UNITS WASHER 0/000.440.0130B (u. 1)</li> </ul>	OBSOLETE
	<ul style="list-style-type: none"> <li>Washer, 6x20x1.5 T4006020 (u. 1)</li> </ul>	
16	<ul style="list-style-type: none"> <li>ELASTICO SUJDEPOS8928 BE25636000 (u. 1)</li> </ul>	
17	<ul style="list-style-type: none"> <li>Tank Bushing, Pampera BE25610007 (u. 1)</li> </ul>	
19	<ul style="list-style-type: none"> <li>BUSHING ALUMINIUM T90052080004K (u. 1)</li> </ul>	
20	<ul style="list-style-type: none"> <li>TORN.ESP.+ARAND.5x15 ZI T0205015 (u. 1)</li> </ul>	OBSOLETE
	<ul style="list-style-type: none"> <li>HEAD SCREW 5x15 DIN 6921 GEOMET 10.9 0/000.460.9115 (u. 1)</li> </ul>	
21	<ul style="list-style-type: none"> <li>Rad Shroud Bushing,Pampera 02 BE250032060 (u. 1)</li> </ul>	OBSOLETE
22	<ul style="list-style-type: none"> <li>Airbox Drain Nipple Pro BT280228032 (u. 1)</li> </ul>	
23	<ul style="list-style-type: none"> <li>AIR BOX GASKET BE90000403012 (u. 1)</li> </ul>	

## Amortiguador trasero



1	<ul style="list-style-type: none"> <li>● COMPLETE ROCKER ARM BE32000NCT3011 (u. 1)</li> </ul>	
2	<ul style="list-style-type: none"> <li>● NEEDLES BEARING DL2216 BE25614010 (u. 1)</li> </ul>	
3	<ul style="list-style-type: none"> <li>● SEAL, DIMATER 28X22X8 BE32025N3011 (u. 1)</li> </ul>	
4	<ul style="list-style-type: none"> <li>● WHASER G REFGTM2238015 T4003822 (u. 1)</li> </ul>	
5	<ul style="list-style-type: none"> <li>● BUSHING, PULL ROD BEARINGS BE32020N3011 (u. 1)</li> </ul>	
6	<ul style="list-style-type: none"> <li>● CTO.BIELETA (137) BE34000NCT3011 (u. 1)</li> </ul>	<b>OBSOLETE</b>
	<ul style="list-style-type: none"> <li>● CONNECTING ROD EC (1395) BE34000N3013 (u. 1)</li> </ul>	
7	<ul style="list-style-type: none"> <li>● CONNECTING ROD BUSHING BE25642002 (u. 1)</li> </ul>	
8	<ul style="list-style-type: none"> <li>● TORN.ESP.14X110 1.50 FIL.25 12.9 MEC.INT T0214110R (u. 1)</li> </ul>	<b>OBSOLETE</b>
9	<ul style="list-style-type: none"> <li>● SWINGARM NUT 0/000.340.9103 (u. 1)</li> </ul>	
	<ul style="list-style-type: none"> <li>● TUERCA BASC.TT 49650 BE25612009 (u. 1)</li> </ul>	<b>OBSOLETE</b>
10	<ul style="list-style-type: none"> <li>● AMORT.RACING 2012 GG-1189 463mm BE30000033012 (u. 1)</li> </ul>	<b>OBSOLETE</b>
11	<ul style="list-style-type: none"> <li>● HEXAG.+ARANDELA 10X45 PAS 125 DACROMET T0210045 (u. 1)</li> </ul>	<b>OBSOLETE</b>
12	<ul style="list-style-type: none"> <li>● TORN.ESPE M10X40X1.25 FL.14 ZIN.BL. T0110042 (u. 1)</li> </ul>	<b>OBSOLETE</b>

**FRAME**



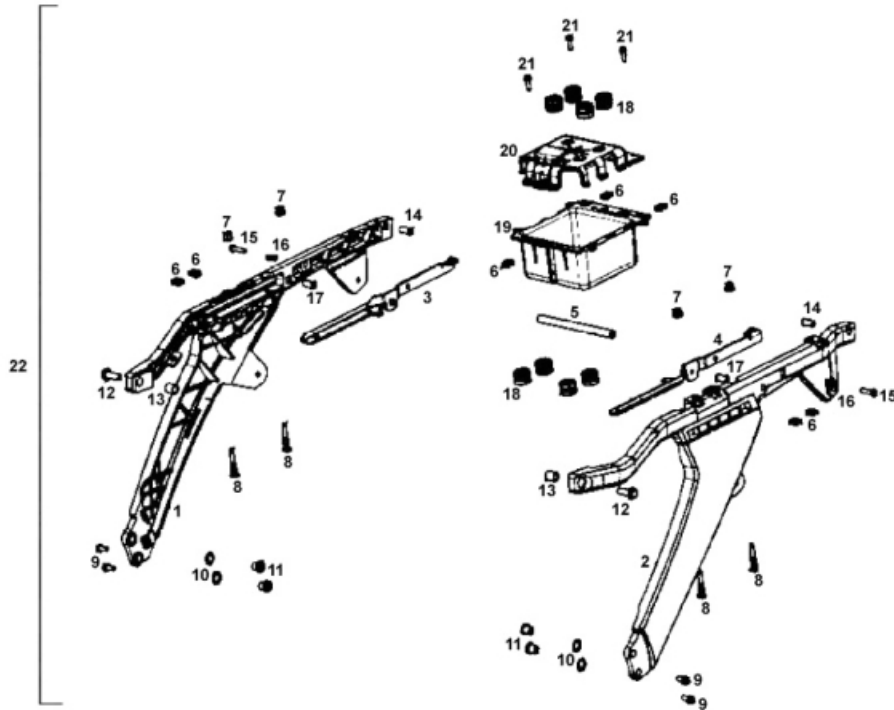
1	<ul style="list-style-type: none"> <li>● CHASIS COMP.EC-250/300 2013 BE10000013013 (u. 1)</li> </ul>	OBSOLETE
	<ul style="list-style-type: none"> <li>● CHASIS COMP.EC-250/300 2012 BE10000013012 (u. 1)</li> </ul>	OBSOLETE
2	<ul style="list-style-type: none"> <li>● SQUARE RUBBER ADHESIVE 25X25X5 BE10000303012 (u. 1)</li> </ul>	
3	<ul style="list-style-type: none"> <li>● STRIP RUBBER ADHESIVE 35X10X5 BE10000313012 (u. 1)</li> </ul>	
4	<ul style="list-style-type: none"> <li>● LOCKING CLAUSOR SET 0/001.060.9100 (u. 1)</li> </ul>	
	<ul style="list-style-type: none"> <li>● CLAUSOR J20.49C TRIAL 2002 BT280210075 (u. 1)</li> </ul>	OBSOLETE
5	<ul style="list-style-type: none"> <li>● FUEL TANK SEAL 292CM GA03 BE10000563012 (u. 1)</li> </ul>	
6	<ul style="list-style-type: none"> <li>● BRIDA UNEX NYLON 2244 4.8X20 0/000.660.9105 (u. 1)</li> </ul>	OBSOLETE
	<ul style="list-style-type: none"> <li>● BRIDA UNEX 2244 4.8X20 BE25634009 (u. 1)</li> </ul>	OBSOLETE
	<ul style="list-style-type: none"> <li>● CLAMP 0/000.680.0060 (u. 1)</li> </ul>	
7	<ul style="list-style-type: none"> <li>● TORN.MOTOR M10x118 T0210118 (u. 1)</li> </ul>	OBSOLETE
8	<ul style="list-style-type: none"> <li>● NUT 10mm (1.25) ZINC 8 0/000.340.9123 (u. 1)</li> </ul>	
	<ul style="list-style-type: none"> <li>● TUERCA AUTOB.M10 PASO 1.25 PLATA T3110002 (u. 1)</li> </ul>	OBSOLETE

9	<ul style="list-style-type: none"> <li>● FOOTPEG SET, EC-2013 CEX BE14000CT2509/2 (u. 1)</li> </ul>	<b>OBSOLETE</b>
	<ul style="list-style-type: none"> <li>● CTO.ESTRIBOS COMP.S EC-2012 BE10000223012 (u. 1)</li> </ul>	<b>OBSOLETE</b>
10	<ul style="list-style-type: none"> <li>● BUSHING BE25612016 (u. 1)</li> </ul>	
11	<ul style="list-style-type: none"> <li>● Upper Chain Guide Roller BE25610014 (u. 1)</li> </ul>	
12	<ul style="list-style-type: none"> <li>● WASHER T4008020 (u. 1)</li> </ul>	
13	<ul style="list-style-type: none"> <li>● SCREW DIN 931 M8x45 0/000.460.0471 (u. 1)</li> </ul>	<b>OBSOLETE</b>
	<ul style="list-style-type: none"> <li>● TORN.ESP.8X45 8.8 ZINC. T0208045 (u. 1)</li> </ul>	<b>OBSOLETE</b>
14	<ul style="list-style-type: none"> <li>● WHASER G REFGTM2238015 T4003822 (u. 1)</li> </ul>	
15	<ul style="list-style-type: none"> <li>● SEAL, DIMATER 28X22X8 BE32025N3011 (u. 1)</li> </ul>	
16	<ul style="list-style-type: none"> <li>● NEEDLES BEARING DL2216 BE25614010 (u. 1)</li> </ul>	
17	<ul style="list-style-type: none"> <li>● BUSHING, PULL ROD BEARINGS BE32020N3011 (u. 1)</li> </ul>	
18	<ul style="list-style-type: none"> <li>● SIDE STAND EC 2012 BE10000323012 (u. 1)</li> </ul>	
19	<ul style="list-style-type: none"> <li>● INTERNAL SIDE STAND SPRING BE10000523012 (u. 1)</li> </ul>	
20	<ul style="list-style-type: none"> <li>● SUPPORT OUTER SPRING BE250510039 (u. 1)</li> </ul>	
21	<ul style="list-style-type: none"> <li>● ULS 8X30 CAV. T0508030 (u. 1)</li> </ul>	<b>OBSOLETE</b>
22	<ul style="list-style-type: none"> <li>● STEEL BUSHING, D8.1XD11XL15.2 T90081110015C (u. 1)</li> </ul>	<b>OBSOLETE</b>
23	<ul style="list-style-type: none"> <li>● Chain Gude Roller Pampera BE25610032 (u. 1)</li> </ul>	
24	<ul style="list-style-type: none"> <li>● SPECIAL SCREW 8x50 GEOMET 10.9 0/000.460.9141 (u. 1)</li> </ul>	
	<ul style="list-style-type: none"> <li>● TORN.ESP.8X55 8.8 FIL.20 ZINC. T0208055 (u. 1)</li> </ul>	<b>OBSOLETE</b>
	<ul style="list-style-type: none"> <li>● SPECIAL SCREW 8x50 GEOMET 10.9 0/000.460.9141 (u. 1)</li> </ul>	
25	<ul style="list-style-type: none"> <li>● SPACER BE250714036 (u. 1)</li> </ul>	
26	<ul style="list-style-type: none"> <li>● CTO.PROT.CARTER EC RACING 2012(Ax1193) BE90000393012 (u. 1)</li> </ul>	<b>OBSOLETE</b>
	<ul style="list-style-type: none"> <li>● CTO.PROT.CARTER EC RACING 2014 BE11500GG-CAW-1 (u. 1)</li> </ul>	<b>OBSOLETE</b>
29	<ul style="list-style-type: none"> <li>● CTO.PEDAL FRENO ENDURO 2012 BE15000003012 (u. 1)</li> </ul>	<b>OBSOLETE</b>
30	<ul style="list-style-type: none"> <li>● PUNTERA KICK BRAKE BE130102510 (u. 1)</li> </ul>	
31	<ul style="list-style-type: none"> <li>● ALLEN 5x12 T0305012 (u. 1)</li> </ul>	<b>OBSOLETE</b>
33	<ul style="list-style-type: none"> <li>● Dogbone Seal 15x21x2 C230001 (u. 1)</li> </ul>	
34	<ul style="list-style-type: none"> <li>● SEEGER DIN 472 D19X1 SE01190100109 (u. 1)</li> </ul>	



35	<ul style="list-style-type: none"> <li>● COJINETE BOLAS PEDAL FRENO RD0108019006A (u. 1)</li> </ul>	<b>OBSOLETE</b>
36	<ul style="list-style-type: none"> <li>● SCREW DIN 931 M8x45 0/000.460.0471 (u. 1)</li> </ul>	<b>OBSOLETE</b>
	<ul style="list-style-type: none"> <li>● TORN.ESP.8X45 8.8 ZINC. T0208045 (u. 1)</li> </ul>	<b>OBSOLETE</b>
37	<ul style="list-style-type: none"> <li>● M8 NUT 0/000.340.0180 (u. 1)</li> </ul>	
	<ul style="list-style-type: none"> <li>● TUERCA AUTOBL+ARANDELA M8 T2208002 (u. 1)</li> </ul>	<b>OBSOLETE</b>
	<ul style="list-style-type: none"> <li>● NUT 8mm NYLOCK + WASHER ZINC 0/000.340.9119 (u. 1)</li> </ul>	<b>OBSOLETE</b>
	<ul style="list-style-type: none"> <li>● NUT 8mm NYLOCK + WASHER ZINC 0/000.340.9119 (u. 1)</li> <li>● M8 NUT 0/000.340.0180 (u. 1)</li> </ul>	<b>OBSOLETE</b>

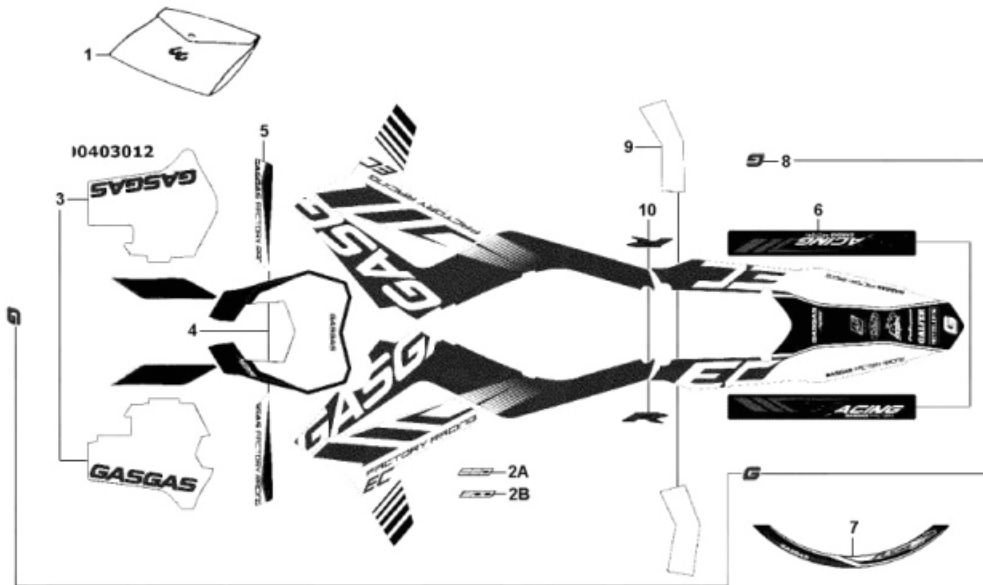
**Chasis trasero**



	<ul style="list-style-type: none"> <li>● LAT.DCH.SUBCHASIS BE10000263012 (u. 1)</li> </ul>	<b>OBSOLETE</b>
1	<ul style="list-style-type: none"> <li>● SUBCHASIS DE ALUMINIO RACING 2013 BE120003013 (u. 1)</li> <li>● SUBFRAME BLACK EC 2014 0/000.010.9104 (u. 1)</li> </ul>	<b>OBSOLETE</b>
2	<ul style="list-style-type: none"> <li>● LAT.IZQ.SUBCHASIS BE10000273012 (u. 1)</li> <li>● LEFT SUBFRAME BE948053013 (u. 1)</li> </ul>	<b>OBSOLETE</b>
3	<ul style="list-style-type: none"> <li>● INSERT SUBFRAME EC 2012 RIGHT BE10000583012 (u. 1)</li> </ul>	
4	<ul style="list-style-type: none"> <li>● REFUERZO SUBCHASIS EC 2012 SX BE10000593012 (u. 1)</li> </ul>	
5	<ul style="list-style-type: none"> <li>● INSERT SUBFRAME AXIS EC 2012 BE10000603012 (u. 1)</li> </ul>	
	<ul style="list-style-type: none"> <li>● TUERCA AUTOBLOC.DIN-6926 M-6 C/ARAND ZN T2206002 (u. 1)</li> </ul>	<b>OBSOLETE</b>
	<ul style="list-style-type: none"> <li>● TUERCA AUTOBLOC. M-6 C/ARAND DIN-6926 ZINC 0/000.340.9117 (u. 1)</li> </ul>	<b>OBSOLETE</b>
7	<ul style="list-style-type: none"> <li>● PASSENGER FOOTREST NUT 0/000.340.0170 (u. 1)</li> <li>● PASSENGER FOOTREST NUT 0/000.340.0170 (u. 1)</li> <li>● PASSENGER FOOTREST NUT 0/000.340.0170 (u. 1)</li> </ul>	
8	<ul style="list-style-type: none"> <li>● INSERTO+ESPIGA M-6 BE10000703012 (u. 1)</li> </ul>	<b>OBSOLETE</b>

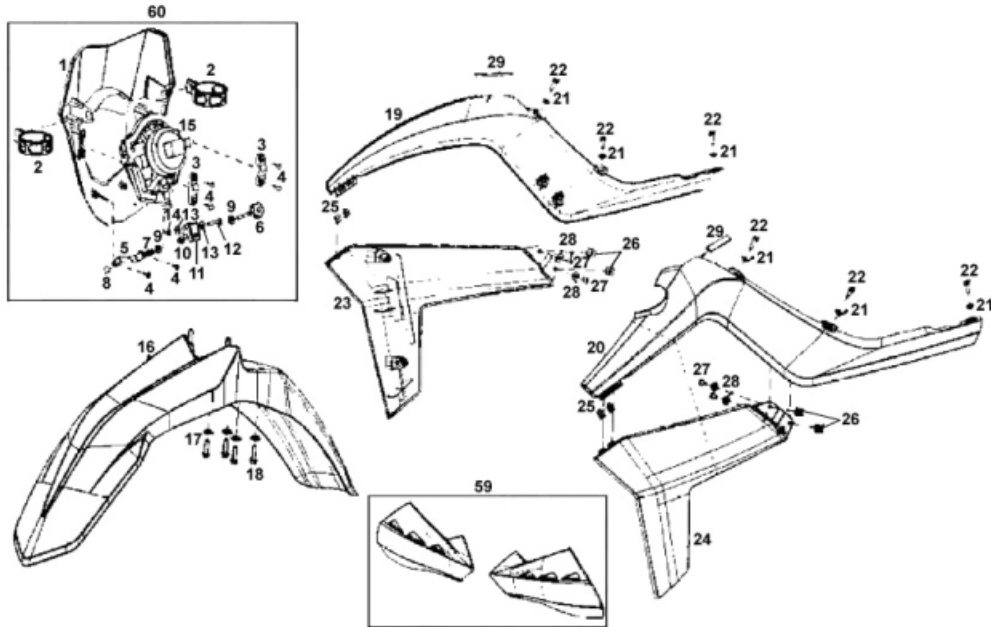
9	<ul style="list-style-type: none"> <li>● HEX BOLT WASHER 6x14 (Fork Brace) DIN 6921 0/000.460.9118 (u. 1)</li> </ul>	
	<ul style="list-style-type: none"> <li>● EXAG.6x14+ARANDELA INCORP. T0206014 (u. 1)</li> </ul>	OBSOLETE
10	<ul style="list-style-type: none"> <li>● ARANDELA ACUÑADA AET10 (VOLANTE) MIT50034012 (u. 1)</li> </ul>	OBSOLETE
11	<ul style="list-style-type: none"> <li>● BUSHING NUT SUBFRAME BE10000383012 (u. 1)</li> </ul>	
12	<ul style="list-style-type: none"> <li>● TORN.ESP.8x25 12.9 ZINC. T0208025 (u. 1)</li> </ul>	OBSOLETE
13	<ul style="list-style-type: none"> <li>● BUSH D12Xd8.25xL15 T90082120015B (u. 1)</li> </ul>	
14	<ul style="list-style-type: none"> <li>● INSERTO M5 SUBCHASIS BE10000433012 (u. 1)</li> </ul>	OBSOLETE
15	<ul style="list-style-type: none"> <li>● ALLEN BOLT 5x25 DIN 912 DRACOMET 8.8 0/000.460.9146 (u. 1)</li> </ul>	
	<ul style="list-style-type: none"> <li>● ALLEN 5X25 8.8 DRACOMET T0305025 (u. 1)</li> </ul>	OBSOLETE
	<ul style="list-style-type: none"> <li>● TOR.ESP.M5X25 8.8 ZINC. T0205025 (u. 1)</li> </ul>	OBSOLETE
16	<ul style="list-style-type: none"> <li>● INSERTO d5.25 x D8 x L14 SUBCHASIS BE10000613012 (u. 1)</li> </ul>	OBSOLETE
17	<ul style="list-style-type: none"> <li>● INSERTO d 5.25xD8XL19.5 SUBCHASIS BE10000633012 (u. 1)</li> </ul>	OBSOLETE
18	<ul style="list-style-type: none"> <li>● SILENCER SILENBLOCK BE250026005 (u. 1)</li> </ul>	
19	<ul style="list-style-type: none"> <li>● SEMICAJA INF.BATERIA BE10000293012 (u. 1)</li> </ul>	OBSOLETE
20	<ul style="list-style-type: none"> <li>● TOP BATTERY BOX COVER BE10000283012 (u. 1)</li> </ul>	
21	<ul style="list-style-type: none"> <li>● TORN.ESP.+ARAND.5x15 ZI T0205015 (u. 1)</li> </ul>	OBSOLETE
	<ul style="list-style-type: none"> <li>● HEAD SCREW 5x15 DIN 6921 GEOMET 10.9 0/000.460.9115 (u. 1)</li> </ul>	
	<ul style="list-style-type: none"> <li>● TORN.ESP.+ARAN.5x10 8.8 ZINCATO BIANC T0205010 (u. 1)</li> </ul>	OBSOLETE
22	<ul style="list-style-type: none"> <li>● SUBCHASIS DE ALUMINIO RACING 2013 BE120003013 (u. 1)</li> </ul>	OBSOLETE
	<ul style="list-style-type: none"> <li>● SUBFRAME BLACK EC 2014 0/000.010.9104 (u. 1)</li> </ul>	
	<ul style="list-style-type: none"> <li>● CTO.SUBCHASIS EC 2012 BE10000263012CT (u. 1)</li> </ul>	OBSOLETE

## STICKERS



1	<ul style="list-style-type: none"> <li>● STICKER KIT, RACING 2012 BE95000593012 (u. 1)</li> </ul>	<b>OBSOLETE</b>
2_	<ul style="list-style-type: none"> <li>● STICKER, ENGINE SIZE, 300 RACING 2012 BE95000653012 (u. 1)</li> </ul>	
	<ul style="list-style-type: none"> <li>● STICKER ENGINE SIZE EC RACING 2012 BE95000062512 (u. 1)</li> </ul>	
3	<ul style="list-style-type: none"> <li>● SET DECAL PROTEC.FORK EC RACING 2016 BE95010CT-EKF-1 (u. 1)</li> </ul>	<b>OBSOLETE</b>
	<ul style="list-style-type: none"> <li>● STICKER KIT FRONT SUSPENSION EC2012 BE95000403012 (u. 1)</li> </ul>	<b>OBSOLETE</b>
4	<ul style="list-style-type: none"> <li>● STICKER HEADLAMPNUMBER PLATE RACING 2012 BE95000453012 (u. 1)</li> </ul>	<b>OBSOLETE</b>
5	<ul style="list-style-type: none"> <li>● KIT ADH HAND-GUARD S RACING 2012 BE95000603012 (u. 1)</li> </ul>	
6	<ul style="list-style-type: none"> <li>● KIT ADH.BASCUL.RACING 2013 BF951254513CT (u. 1)</li> </ul>	<b>OBSOLETE</b>
	<ul style="list-style-type: none"> <li>● STICKER KIT, SWINGARM, RACING 2012 BE95000613012 (u. 1)</li> </ul>	<b>OBSOLETE</b>
7	<ul style="list-style-type: none"> <li>● STICKER SET RIMS TXT RACING 2012 BT95000613012 (u. 1)</li> </ul>	
8	<ul style="list-style-type: none"> <li>● STICKER GG EC RACING 2012 BE95000573012 (u. 1)</li> </ul>	<b>OBSOLETE</b>
9	<ul style="list-style-type: none"> <li>● KIT ADH.PROT.CHASIS EC 2012 BE95000423012 (u. 1)</li> </ul>	<b>OBSOLETE</b>
10	<ul style="list-style-type: none"> <li>● STICKER R EC RACING 2012 BE95000583012 (u. 1)</li> </ul>	

## Carrocería delantera

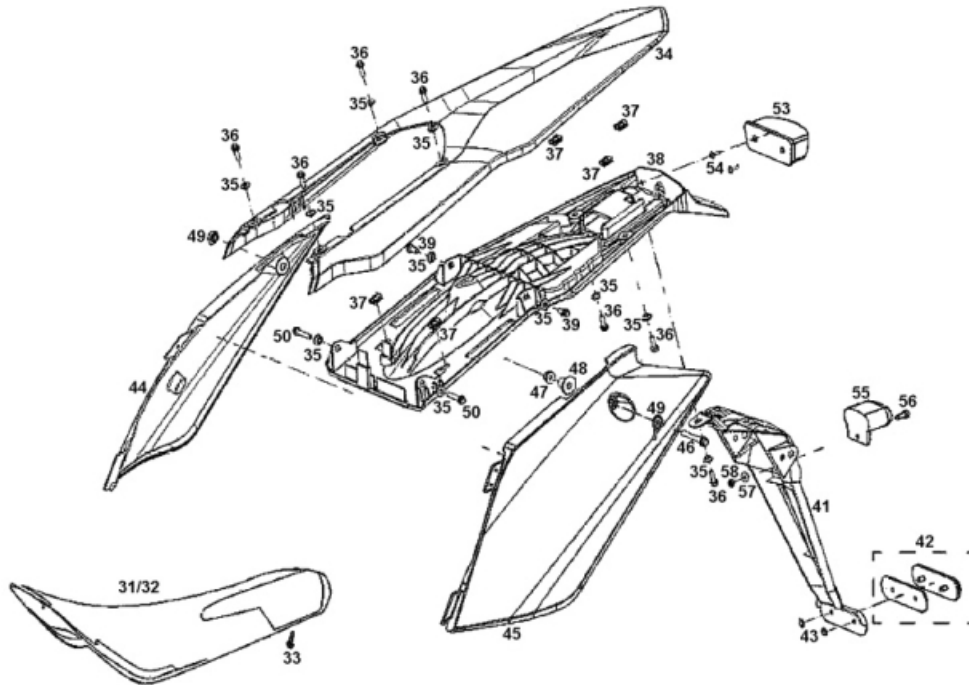


1	<ul style="list-style-type: none"> <li>● PORTAFAROS DEL. EC RACING 2012 NG. BE90000293012 (u. 1)</li> </ul>	<b>OBSOLETE</b>
	<ul style="list-style-type: none"> <li>● HEADLAMP, FRONT EC RACING 2013 BLACK BE905013013 (u. 1)</li> </ul>	
3	<ul style="list-style-type: none"> <li>● LIGHT SUPPORT BLACK BE90000303012 (u. 1)</li> </ul>	<b>OBSOLETE</b>
	<ul style="list-style-type: none"> <li>● SOPORTE PORTAFARO MR NEGRO INY. 0/000.980.9127 (u. 1)</li> </ul>	
4	<ul style="list-style-type: none"> <li>● TORN.ESP.PLASTICO 4X12 CELO RF87T ZINC. T0804012 (u. 1)</li> </ul>	<b>OBSOLETE</b>
	<ul style="list-style-type: none"> <li>● SPECIAL PLASTIC BOLT 4X12 CELO RF87T VERZINKT 0/000.460.9160 (u. 1)</li> </ul>	
5	<ul style="list-style-type: none"> <li>● HEAD LIGHT REGULATION SHEET 0/000.980.9103 (u. 1)</li> </ul>	<b>OBSOLETE</b>
	<ul style="list-style-type: none"> <li>● CHAPA REGUL.FARO BE90000033012 (u. 1)</li> </ul>	
6	<ul style="list-style-type: none"> <li>● REGULATOR BOLT HEADLIGHT ELESA 0/000.460.9106 (u. 1)</li> </ul>	<b>OBSOLETE</b>
	<ul style="list-style-type: none"> <li>● TORN.REGUL.FARO ELESA B.193/18 P M5X40 BE35000013012 (u. 1)</li> </ul>	
7	<ul style="list-style-type: none"> <li>● SCREW REG LAMP SPRING 0/000.470.9107 (u. 1)</li> </ul>	<b>OBSOLETE</b>
	<ul style="list-style-type: none"> <li>● MUELLE TORN.REG.OPTICA BX250020026 (u. 1)</li> </ul>	
8	<ul style="list-style-type: none"> <li>● TUERCA AUTOBL.DIN-985 M-5 ZN BAJA T2105000 (u. 1)</li> </ul>	<b>OBSOLETE</b>
	<ul style="list-style-type: none"> <li>● SELFLOCKING NUT M5 DIN-985 ZINC 8 0/000.340.9112 (u. 1)</li> </ul>	

9	<ul style="list-style-type: none"> <li>● ARANDELA 5X12X1.5 T4005012 (u. 1)</li> </ul>	<b>OBSOLETE</b>
	<ul style="list-style-type: none"> <li>● WASHER 5x12x1.5 DIN 125A ZINC 0/000.440.9121 (u. 1)</li> </ul>	
10	<ul style="list-style-type: none"> <li>● ALUMINIUM BUSHING 55X10X6 0/000.480.9128 (u. 1)</li> </ul>	<b>OBSOLETE</b>
	<ul style="list-style-type: none"> <li>● CASQ.ALUMINIO ø5.5X10X6 T90055100006M (u. 1)</li> </ul>	
11	<ul style="list-style-type: none"> <li>● 2012 EC HEAD LIGHT REINFORCEMENT REED 0/000.980.9106 (u. 1)</li> </ul>	<b>OBSOLETE</b>
	<ul style="list-style-type: none"> <li>● REFUERZO LENGUETA FARO EC 2012 EE20000013012 (u. 1)</li> </ul>	
12	<ul style="list-style-type: none"> <li>● ALLEN BOLT, 4X25 DIN 912 ZINC 0/000.460.9144 (u. 1)</li> </ul>	<b>OBSOLETE</b>
	<ul style="list-style-type: none"> <li>● ALLEN 4X25 ZINC.DIN 912 T0304025 (u. 1)</li> </ul>	
13	<ul style="list-style-type: none"> <li>● 4X12X1 WASHER PLANE ZN AG CR3 0/000.440.9119 (u. 1)</li> </ul>	<b>OBSOLETE</b>
	<ul style="list-style-type: none"> <li>● ARANDELA PLANA 4X12X1 (DIN 9021) T4004012 (u. 1)</li> </ul>	
14	<ul style="list-style-type: none"> <li>● TUERCA AUTOBL.M-4 (DIN 985) T2104000 (u. 1)</li> </ul>	<b>OBSOLETE</b>
	<ul style="list-style-type: none"> <li>● NUT LOCKNUT. M4 DIN 985 ZINC 8 0/000.340.9111 (u. 1)</li> </ul>	
15	<ul style="list-style-type: none"> <li>● COMPLETE HEAD LAMP BEAM UNIT 0/000.600.0260 (u. 1)</li> </ul>	<b>OBSOLETE</b>
	<ul style="list-style-type: none"> <li>● OPTICA FARO DEL.EC 2011 6000270 EE200002511 (u. 1)</li> </ul>	
	<ul style="list-style-type: none"> <li>● HEADLIGHT WITH BULB COMPLETE PT-107 0/000.600.0270 (u. 1)</li> </ul>	
16	<ul style="list-style-type: none"> <li>● GUARDAB.DEL.BL.2012 BE90000313012 (u. 1)</li> </ul>	<b>OBSOLETE</b>
	<ul style="list-style-type: none"> <li>● WHITE FRONT FENDER 2013 BE910003013 (u. 1)</li> </ul>	
17	<ul style="list-style-type: none"> <li>● Rad Shroud Bushing,Pampera 02 BE250032060 (u. 1)</li> </ul>	<b>OBSOLETE</b>
18	<ul style="list-style-type: none"> <li>● BOLT 6x20 DIN 6921 GEOMET 10.9 0/000.460.9120 (u. 1)</li> </ul>	<b>OBSOLETE</b>
	<ul style="list-style-type: none"> <li>● TORN.ESP.6x20 10.9 ZINC.(CEX) T0206020 (u. 1)</li> </ul>	
19	<ul style="list-style-type: none"> <li>● CT0.TAPA LAT.RAD.SUP.DCH.RACING BE90000323012 (u. 1)</li> </ul>	<b>OBSOLETE</b>
20	<ul style="list-style-type: none"> <li>● COMPLETE RADIATOR SIDE SHROUD TOP LEFT R BE90000333012 (u. 1)</li> </ul>	<b>OBSOLETE</b>
21	<ul style="list-style-type: none"> <li>● BUSHING ALUMINIUM T90052080004K (u. 1)</li> </ul>	<b>OBSOLETE</b>
22	<ul style="list-style-type: none"> <li>● TORNILLO ISO 7380 Torx T-25 con arandela M5x16 INOX 0/000.460.0083 (u. 1)</li> </ul>	<b>OBSOLETE</b>
	<ul style="list-style-type: none"> <li>● ULS 5X16 PRO.PIÑ. T0505016 (u. 1)</li> </ul>	
	<ul style="list-style-type: none"> <li>● ALLEN BOLT ULS 5x16 ISO 7380-1 ZINC 12.9 0/000.460.9155 (u. 1)</li> </ul>	
	<ul style="list-style-type: none"> <li>● TORNILLO ISO 7380 Torx T-25 con arandela M5x16 INOX 0/000.460.0083 (u. 1)</li> </ul>	
23	<ul style="list-style-type: none"> <li>● SET COVER OF RAD.INF.RIGHT.RACING BE90000343012 (u. 1) - EC RACING</li> </ul>	<b>OBSOLETE</b>

24	<ul style="list-style-type: none"> <li>● COMPLETE RADIATOR SIDE SHROUD BOTTOM LEF BE90000363012 (u. 1) - <i>EC RACING</i></li> </ul>	<b>OBSOLETE</b>
25	<ul style="list-style-type: none"> <li>● FIXING CLIP SIDE COVERS BE35000083012 (u. 1)</li> </ul>	
26	<ul style="list-style-type: none"> <li>● GRAPA REG.FARO GRANADA 02130035 BX250020029 (u. 1)</li> </ul>	<b>OBSOLETE</b>
27	<ul style="list-style-type: none"> <li>● SCREW 48X13 T0606013 (u. 1)</li> </ul>	
28	<ul style="list-style-type: none"> <li>● ARANDELA 5X12X1.5 T4005012 (u. 1)</li> </ul>	<b>OBSOLETE</b>
	<ul style="list-style-type: none"> <li>● WASHER 5x12x1.5 DIN 125A ZINC 0/000.440.9121 (u. 1)</li> </ul>	
29	<ul style="list-style-type: none"> <li>● TIRA RECTA GOMA ADHESIVA 1 CARA BE10000553012 (u. 1)</li> </ul>	<b>OBSOLETE</b>
59	<ul style="list-style-type: none"> <li>● HANDS PROTECTOR SET BE945002510 (u. 1)</li> </ul>	
60	<ul style="list-style-type: none"> <li>● PORTAFAROS DEL.EC RACING 2012 NG. BE90000293012 (u. 1)</li> </ul>	<b>OBSOLETE</b>
	<ul style="list-style-type: none"> <li>● HEADLAMP, FRONT EC RACING 2013 BLACK BE905013013 (u. 1)</li> </ul>	

**Carrocería trasera**



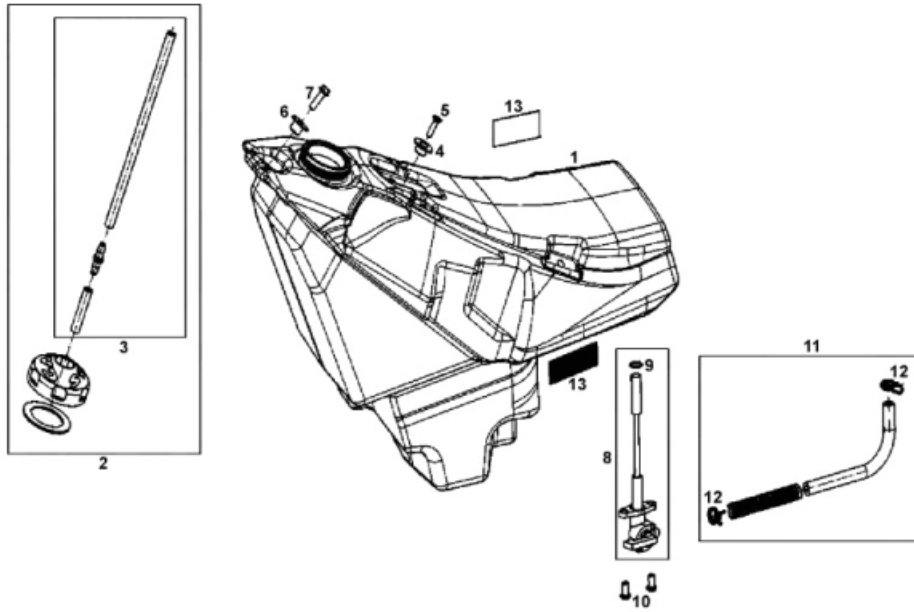
31	<ul style="list-style-type: none"> <li>● SILLIN EC-2012 BE90000173012 (u. 1)</li> <li>● UPDATE SET NUMBER PLATE 2012 BE90000093012 (u. 1)</li> </ul>	OBSOLETE
32	<ul style="list-style-type: none"> <li>● FUNDA ASIENTO 2012 BE90000453012 (u. 1)</li> </ul>	
33	<ul style="list-style-type: none"> <li>● TORN.ESP.M6x25 FIL.20 ROND.D.15 8.8 ZINC T0606025 (u. 1)</li> <li>● TORN.ESP.M6x20 FIL.20 ROND.D.15 8.8 ZINC T0606020 (u. 1)</li> </ul>	OBSOLETE
34	<ul style="list-style-type: none"> <li>● CTO.GUARDAB.TRAS.RACING 2012 BE90000383012 (u. 1) - EC RACING</li> </ul>	OBSOLETE
35	<ul style="list-style-type: none"> <li>● BUSHING ALUMINIUM T90052080004K (u. 1)</li> </ul>	
36	<ul style="list-style-type: none"> <li>● ALLEN BOLT ULS 5x16 ISO 7380-1 ZINC 12.9 0/000.460.9155 (u. 1)</li> <li>● TORNILLO ISO 7380 Torx T-25 con arandela M5x16 INOX 0/000.460.0083 (u. 1)</li> <li>● ULS 5X16 PRO.PIÑ. T0505016 (u. 1)</li> <li>● TORNILLO ISO 7380 Torx T-25 con arandela M5x16 INOX 0/000.460.0083 (u. 1)</li> </ul>	OBSOLETE
37	<ul style="list-style-type: none"> <li>● NUT TRT M5 GEOMET T810599990001 (u. 1)</li> </ul>	
38	<ul style="list-style-type: none"> <li>● UPDATE SET NUMBER PLATE 2012 BE90000093012 (u. 1)</li> </ul>	



39	<ul style="list-style-type: none"> <li>TORN.ESP.+ARAND.5x15 ZI T0205015 (u. 1)</li> </ul>	OBSOLETE
	<ul style="list-style-type: none"> <li>HEAD SCREW 5x15 DIN 6921 GEOMET 10.9 0/000.460.9115 (u. 1)</li> </ul>	
41	<ul style="list-style-type: none"> <li>LICENSE PLATE MOUNT EC2012 BE90000123012 (u. 1)</li> </ul>	
42	<ul style="list-style-type: none"> <li>CATADIOPTRICO 700R ENDURO 2007 BQ300234125/2 (u. 1)</li> </ul>	OBSOLETE
	<ul style="list-style-type: none"> <li>CATADIOPTIC 700R ENDURO 2007 0/000.630.9103 (u. 1)</li> </ul>	
43	<ul style="list-style-type: none"> <li>GRAPA 02110396 SRRM-5 CATADRIOPTICO BQ300234126 (u. 1)</li> </ul>	OBSOLETE
	<ul style="list-style-type: none"> <li>STAPLE 02110396 SRRM-5 0/000.440.9102 (u. 1)</li> </ul>	
44	<ul style="list-style-type: none"> <li>KIT PLATE S NUMBER-PLATE BLACK S EC 2012-2013 BE93000CT-BSI-1 (u. 1)</li> </ul>	OBSOLETE
	<ul style="list-style-type: none"> <li>PORTANUMERO DCH.EC 2012 BE90000103012 (u. 1)</li> </ul>	
45	<ul style="list-style-type: none"> <li>KIT PLATE S NUMBER-PLATE BLACK S EC 2012-2013 BE93000CT-BSI-1 (u. 1)</li> </ul>	OBSOLETE
	<ul style="list-style-type: none"> <li>PORTANUMERO IZQ.EC 2012 BE90000113012 (u. 1)</li> </ul>	
46	<ul style="list-style-type: none"> <li>HEAD SCREW 6x40 GEOMET 10.9 0/000.460.9125 (u. 1)</li> </ul>	
	<ul style="list-style-type: none"> <li>HEAD SCREW 6x40 GEOMET 10.9 0/000.460.9125 (u. 1)</li> </ul>	
47	<ul style="list-style-type: none"> <li>PASSENGER FOOTREST NUT 0/000.340.0170 (u. 1)</li> </ul>	OBSOLETE
	<ul style="list-style-type: none"> <li>PASSENGER FOOTREST NUT 0/000.340.0170 (u. 1)</li> </ul>	
	<ul style="list-style-type: none"> <li>TUERCA AUTOBLOC.DIN-6926 M-6 C/ARAND ZN T2206002 (u. 1)</li> </ul>	
	<ul style="list-style-type: none"> <li>PASSENGER FOOTREST NUT 0/000.340.0170 (u. 1)</li> </ul>	
	<ul style="list-style-type: none"> <li>TUERCA AUTOBLOC. M-6 C/ARAND DIN-6926 ZINC 0/000.340.9117 (u. 1)</li> </ul>	
48	<ul style="list-style-type: none"> <li>ALUM SILENCER BUSHING BE250026000 (u. 1)</li> </ul>	
49	<ul style="list-style-type: none"> <li>Rad Shroud Bushing,Pampera 02 BE250032060 (u. 1)</li> </ul>	OBSOLETE
50	<ul style="list-style-type: none"> <li>TORN.ESP.+ARANDELA 5X30 ZINC. T0205030 (u. 1)</li> </ul>	OBSOLETE
	<ul style="list-style-type: none"> <li>BOLT SOCKET HEAD M5X30 T0305030 (u. 1)</li> </ul>	
53	<ul style="list-style-type: none"> <li>REAR LIGHT SET ENDURO BE250734015 (u. 1)</li> </ul>	
54	<ul style="list-style-type: none"> <li>TORN.ESP.PLASTICO 4X12 CELO RF87T ZINC. T0804012 (u. 1)</li> </ul>	OBSOLETE
	<ul style="list-style-type: none"> <li>SPECIAL PLASTIC BOLT 4X12 CELO RF87T VERZINKT 0/000.460.9160 (u. 1)</li> </ul>	
55	<ul style="list-style-type: none"> <li>REAR LICENSE PLATE HOLDER LIGHT BE250734124 (u. 1)</li> </ul>	
56	<ul style="list-style-type: none"> <li>ALLEN 5x16 DRACOMET T0305016 (u. 1)</li> </ul>	OBSOLETE

57	<ul style="list-style-type: none"><li>● WASHER 5x12x1.5 DIN 125A ZINC 0/000.440.9121 (u. 1)</li></ul>	
	<ul style="list-style-type: none"><li>● ARANDELA 5X12X1.5 T4005012 (u. 1)</li></ul>	<b>OBSOLETE</b>
58	<ul style="list-style-type: none"><li>● TUERCA AUTOBLM-5 ALTA T2105001 (u. 1)</li></ul>	<b>OBSOLETE</b>

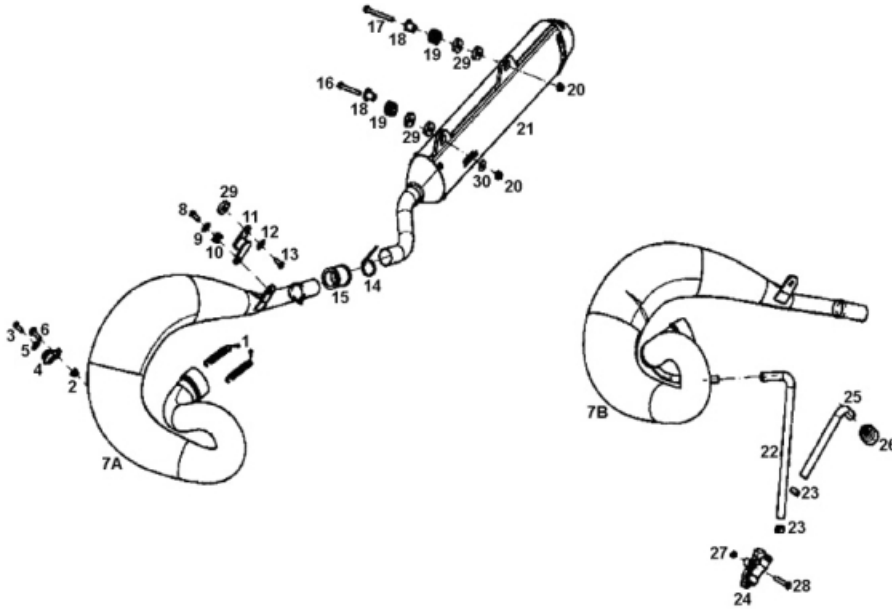
**TANK**



1	<ul style="list-style-type: none"> <li>● FUEL TANK EC2012 BE75000013012 (u. 1)</li> </ul>	<b>OBSOLETE</b>
	<ul style="list-style-type: none"> <li>● FUEL TANK EC 2013 BE760003013 (u. 1)</li> </ul>	
2	<ul style="list-style-type: none"> <li>● CTO.TAP.GASOLINA+TUBO BE250520010CT (u. 1)</li> </ul>	<b>OBSOLETE</b>
	<ul style="list-style-type: none"> <li>● SET CAP GASOLINE +TUBE EC 2014 BE76010CT-CAB-1 (u. 1)</li> </ul>	
3	<ul style="list-style-type: none"> <li>● FUEL TANK VENT HOSE 26cm 0/000.290.9115 (u. 1)</li> </ul>	<b>OBSOLETE</b>
	<ul style="list-style-type: none"> <li>● CTO.TUBO DESVAP.GASOLINA 26cm BT280310018 (u. 1)</li> </ul>	
4	<ul style="list-style-type: none"> <li>● TANK BUSHING BIE050210007 (u. 1)</li> </ul>	<b>OBSOLETE</b>
5	<ul style="list-style-type: none"> <li>● ALLEN+5X20 ESTRIBO TRAS.PP. T0405020 (u. 1)</li> </ul>	<b>OBSOLETE</b>
6	<ul style="list-style-type: none"> <li>● LOWER RADIATOR HOLDER BUSHING BE25832040 (u. 1)</li> </ul>	
7	<ul style="list-style-type: none"> <li>● TORN.ESP.6x20 10.9 ZINC.(CEX) T0206020 (u. 1)</li> </ul>	<b>OBSOLETE</b>
	<ul style="list-style-type: none"> <li>● BOLT 6x20 DIN 6921 GEOMET 10.9 0/000.460.9120 (u. 1)</li> </ul>	
8	<ul style="list-style-type: none"> <li>● FUEL TAP OR FUEL O'RING BE760202510 (u. 1)</li> </ul>	
9	<ul style="list-style-type: none"> <li>● 10X25 FUEL TAP OÆRING B740120 (u. 1)</li> </ul>	
10	<ul style="list-style-type: none"> <li>● ULS 6X12 T0506012 (u. 1)</li> </ul>	<b>OBSOLETE</b>

11	<ul style="list-style-type: none"><li>FUEL FILTER SET BEH200610133 (u. 1)</li></ul>	OBSOLETE
12	<ul style="list-style-type: none"><li>ABRAZ.MOLLA M-11.6-12.3 ROSA 02016098 BE25610044 (u. 1)</li></ul>	OBSOLETE
	<ul style="list-style-type: none"><li>SPRING CLAMP M-11.6-12.3 ZINC CR3 0/000.680.9102 (u. 1)</li></ul>	
13	<ul style="list-style-type: none"><li>ADHESIVE SEALING TAPE BE90000413012 (u. 1)</li></ul>	OBSOLETE

**EXHAUST SYSTEM**

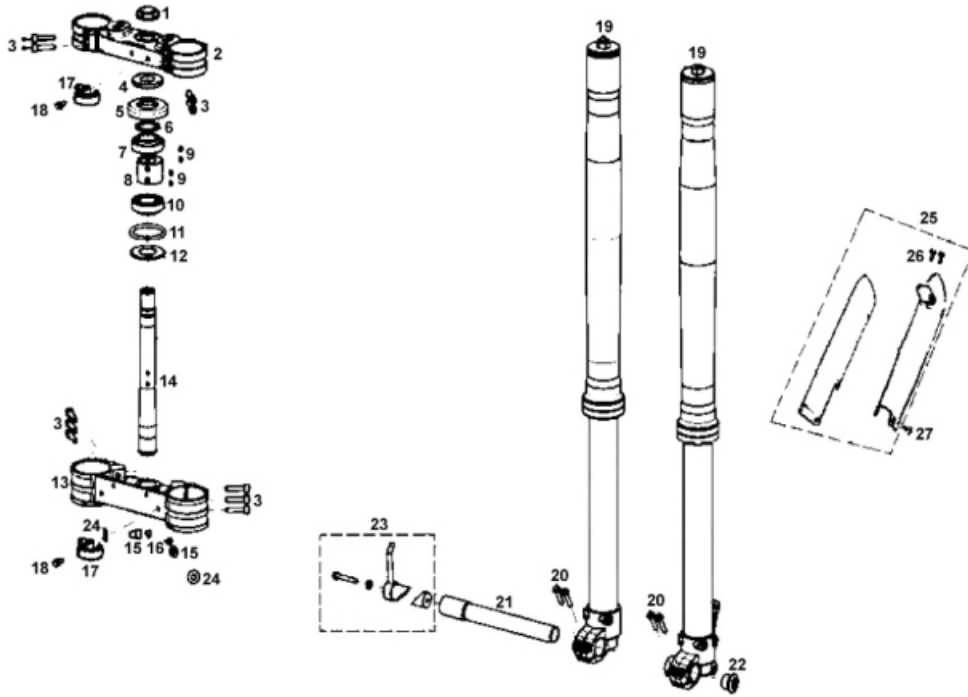


1	<ul style="list-style-type: none"> <li>● SPRING EXHAUST EC 0/000.470.9106 (u. 1)</li> </ul>	
	<ul style="list-style-type: none"> <li>● MUELLE ESCAPE EC BE86050GG-EKF-1 (u. 1)</li> </ul>	OBSOLETE
	<ul style="list-style-type: none"> <li>● MUELLE ESCAPE BE25610042 (u. 1)</li> </ul>	OBSOLETE
2	<ul style="list-style-type: none"> <li>● PASSENGER FOOTREST NUT 0/000.340.0170 (u. 1)</li> </ul>	
	<ul style="list-style-type: none"> <li>● TUERCA AUTOBLOC. M-6 C/ARAND DIN-6926 ZINC 0/000.340.9117 (u. 1)</li> </ul>	OBSOLETE
	<ul style="list-style-type: none"> <li>● PASSENGER FOOTREST NUT 0/000.340.0170 (u. 1)</li> </ul>	
	<ul style="list-style-type: none"> <li>● PASSENGER FOOTREST NUT 0/000.340.0170 (u. 1)</li> </ul>	
3	<ul style="list-style-type: none"> <li>● TUERCA AUTOBLOC.DIN-6926 M-6 C/ARAND ZN T2206002 (u. 1)</li> </ul>	OBSOLETE
	<ul style="list-style-type: none"> <li>● TORN.ESP.6X16 10.9 ZINC. T0206016 (u. 1)</li> </ul>	OBSOLETE
4	<ul style="list-style-type: none"> <li>● 6x16 HEX HEAD WASHER DIN 6921 ZINC.10.9 0/000.460.9119 (u. 1)</li> </ul>	
	<ul style="list-style-type: none"> <li>● EXHAUST SILENTBLOCK BIC050526004 (u. 1)</li> </ul>	
5	<ul style="list-style-type: none"> <li>● WASHER 6x18x1.5 ZINC 0/000.440.9126 (u. 1)</li> </ul>	
	<ul style="list-style-type: none"> <li>● ARANDELA 6X18X1.5 (DIN 9021) T4006018 (u. 1)</li> </ul>	OBSOLETE

6	<ul style="list-style-type: none"> <li>TORN.ESP.M6x20 FIL.20 ROND.D.15 8.8 ZINC T0606020 (u. 1)</li> </ul>	OBSOLETE
	<ul style="list-style-type: none"> <li>TORN.ESP.M6x25 FIL.20 ROND.D.15 8.8 ZINC T0606025 (u. 1)</li> </ul>	OBSOLETE
7_	<ul style="list-style-type: none"> <li>COMPLETE EXHAUST PIPE EC 2012 BE85000013012CT (u. 1)</li> </ul>	OBSOLETE
	<ul style="list-style-type: none"> <li>TUBO ESCAPE HOMOL.EC-2012 BE85000033012 (u. 1)</li> </ul>	OBSOLETE
	<ul style="list-style-type: none"> <li>TUBO ESCAPE EC-2012 (M.P.) BE85000013012 (u. 1)</li> </ul>	OBSOLETE
8	<ul style="list-style-type: none"> <li>TORN.ESP.6X16 10.9 ZINC. T0206016 (u. 1)</li> </ul>	OBSOLETE
	<ul style="list-style-type: none"> <li>6x16 HEX HEAD WASHER DIN 6921 ZINC.10.9 0/000.460.9119 (u. 1)</li> </ul>	
9	<ul style="list-style-type: none"> <li>WASHER 6x18x1.5 ZINC 0/000.440.9126 (u. 1)</li> </ul>	
	<ul style="list-style-type: none"> <li>ARANDELA 6X18X1.5 (DIN 9021) T4006018 (u. 1)</li> </ul>	OBSOLETE
10	<ul style="list-style-type: none"> <li>TUERCA NUT 956 M-6 HRC 40/48 T2606000 (u. 1)</li> </ul>	OBSOLETE
	<ul style="list-style-type: none"> <li>NUT 6MM 0/000.340.9120 (u. 1)</li> </ul>	
11	<ul style="list-style-type: none"> <li>Rear Pipe Mount,Pampera BE25626004 (u. 1)</li> </ul>	
12	<ul style="list-style-type: none"> <li>ARANDELA 6X18X1.5 (DIN 9021) T4006018 (u. 1)</li> </ul>	OBSOLETE
	<ul style="list-style-type: none"> <li>WASHER 6x18x1.5 ZINC 0/000.440.9126 (u. 1)</li> </ul>	
13	<ul style="list-style-type: none"> <li>BOLT 6x20 DIN 6921 GEOMET 10.9 0/000.460.9120 (u. 1)</li> </ul>	
	<ul style="list-style-type: none"> <li>TORN.ESP.6x20 10.9 ZINC.(CEX) T0206020 (u. 1)</li> </ul>	OBSOLETE
14	<ul style="list-style-type: none"> <li>CLAMP 0/000.680.0060 (u. 1)</li> </ul>	
	<ul style="list-style-type: none"> <li>BRIDA UNEX 2244 4.8X20 BE25634009 (u. 1)</li> </ul>	OBSOLETE
	<ul style="list-style-type: none"> <li>BRIDA UNEX NYLON 2244 4.8X20 0/000.660.9105 (u. 1)</li> </ul>	OBSOLETE
15	<ul style="list-style-type: none"> <li>JUNTA ESCAPE 250 SILIC.5916 BE25626003 (u. 1)</li> </ul>	OBSOLETE
	<ul style="list-style-type: none"> <li>EXHAUST RUBBER GASKET 0/000.490.9103 (u. 1)</li> </ul>	
16	<ul style="list-style-type: none"> <li>SPECIAL SCREW 6X55 DIN 6921 DRACOMET 8.8 0/000.460.9127 (u. 1)</li> </ul>	
	<ul style="list-style-type: none"> <li>TORN.ESP.6X55 8.8 DRACOMET T0206055 (u. 1)</li> </ul>	OBSOLETE
17	<ul style="list-style-type: none"> <li>TORN.ESP.6x60 Fil.20 10.9 T0206060 (u. 1)</li> </ul>	OBSOLETE
	<ul style="list-style-type: none"> <li>HEAD SCREW 6x60 DELTA PROTEK 10.9 0/000.460.9128 (u. 1)</li> </ul>	
18	<ul style="list-style-type: none"> <li>ALUM SILENCER BUSHING BE250026000 (u. 1)</li> </ul>	
19	<ul style="list-style-type: none"> <li>SILENCER SILENBLOCK BE250026005 (u. 1)</li> </ul>	

	<ul style="list-style-type: none"> <li>● PASSENGER FOOTREST NUT 0/000.340.0170 (u. 1)</li> </ul>	
	<ul style="list-style-type: none"> <li>● PASSENGER FOOTREST NUT 0/000.340.0170 (u. 1)</li> </ul>	
20	<ul style="list-style-type: none"> <li>● TUERCA AUTOBLOC. M-6 C/ARAND DIN-6926 ZINC 0/000.340.9117 (u. 1)</li> </ul>	OBSOLETE
	<ul style="list-style-type: none"> <li>● PASSENGER FOOTREST NUT 0/000.340.0170 (u. 1)</li> </ul>	
	<ul style="list-style-type: none"> <li>● TUERCA AUTOBLOC.DIN-6926 M-6 C/ARAND ZN T2206002 (u. 1)</li> </ul>	OBSOLETE
21	<ul style="list-style-type: none"> <li>● SILENCER FMFQ 22012 BE85000023012 (u. 1)</li> </ul>	
	<ul style="list-style-type: none"> <li>● TUBO AIRE SECUNDARIO LARGO EC-2009 BE785551209 (u. 1)</li> </ul>	OBSOLETE
22	<ul style="list-style-type: none"> <li>● EXHAUST TO VALVE RUBBER TUBE 0/000.290.9111 (u. 1)</li> </ul>	
	<ul style="list-style-type: none"> <li>● CLAMP D.15/8 W4 INOX A2 0/000.680.9106 (u. 1)</li> </ul>	
23	<ul style="list-style-type: none"> <li>● ABRAZ.COBRA 15 (COBRA 15/8 W4) L200053 (u. 1)</li> </ul>	OBSOLETE
	<ul style="list-style-type: none"> <li>● VALV.AIRE SECUNDARIO EC-2009 RV-1-037 BE785652509 (u. 1)</li> </ul>	OBSOLETE
24	<ul style="list-style-type: none"> <li>● AIS VALVE 0/000.640.9100 (u. 1)</li> </ul>	
	<ul style="list-style-type: none"> <li>● VALVE TO FILTER RUBBER TUBE 0/000.290.9110 (u. 1)</li> </ul>	
25	<ul style="list-style-type: none"> <li>● TUBO AIRE SECUNDARIO CORTO EC-2009 BE785502509 (u. 1)</li> </ul>	OBSOLETE
26	<ul style="list-style-type: none"> <li>● SECONDARY AIR FILTER BT280626059 (u. 1)</li> </ul>	
27	<ul style="list-style-type: none"> <li>● CASQUILLO PROTECTOR SUSPENSION INVERTIDA BC250014050 (u. 1)</li> </ul>	OBSOLETE
	<ul style="list-style-type: none"> <li>● HEAD SCREW 6x40 GEOMET 10.9 0/000.460.9125 (u. 1)</li> </ul>	
	<ul style="list-style-type: none"> <li>● TORN.ESP.M6x30 T0206030 (u. 1)</li> </ul>	OBSOLETE
28	<ul style="list-style-type: none"> <li>● HEAD SCREW 6x40 GEOMET 10.9 0/000.460.9125 (u. 1)</li> </ul>	
	<ul style="list-style-type: none"> <li>● ALLEN BOLT 6x30 DIN 6921 GEOMET 0/000.460.9123 (u. 1)</li> </ul>	
29	<ul style="list-style-type: none"> <li>● BUSHING, 6.25X25X7 T90062250007K (u. 1)</li> </ul>	
	<ul style="list-style-type: none"> <li>● BAG 5 UNITS WASHER 0/000.440.0130B (u. 1)</li> </ul>	
30	<ul style="list-style-type: none"> <li>● Washer, 6x20x1.5 T4006020 (u. 1)</li> </ul>	OBSOLETE

**Horquilla delantera**

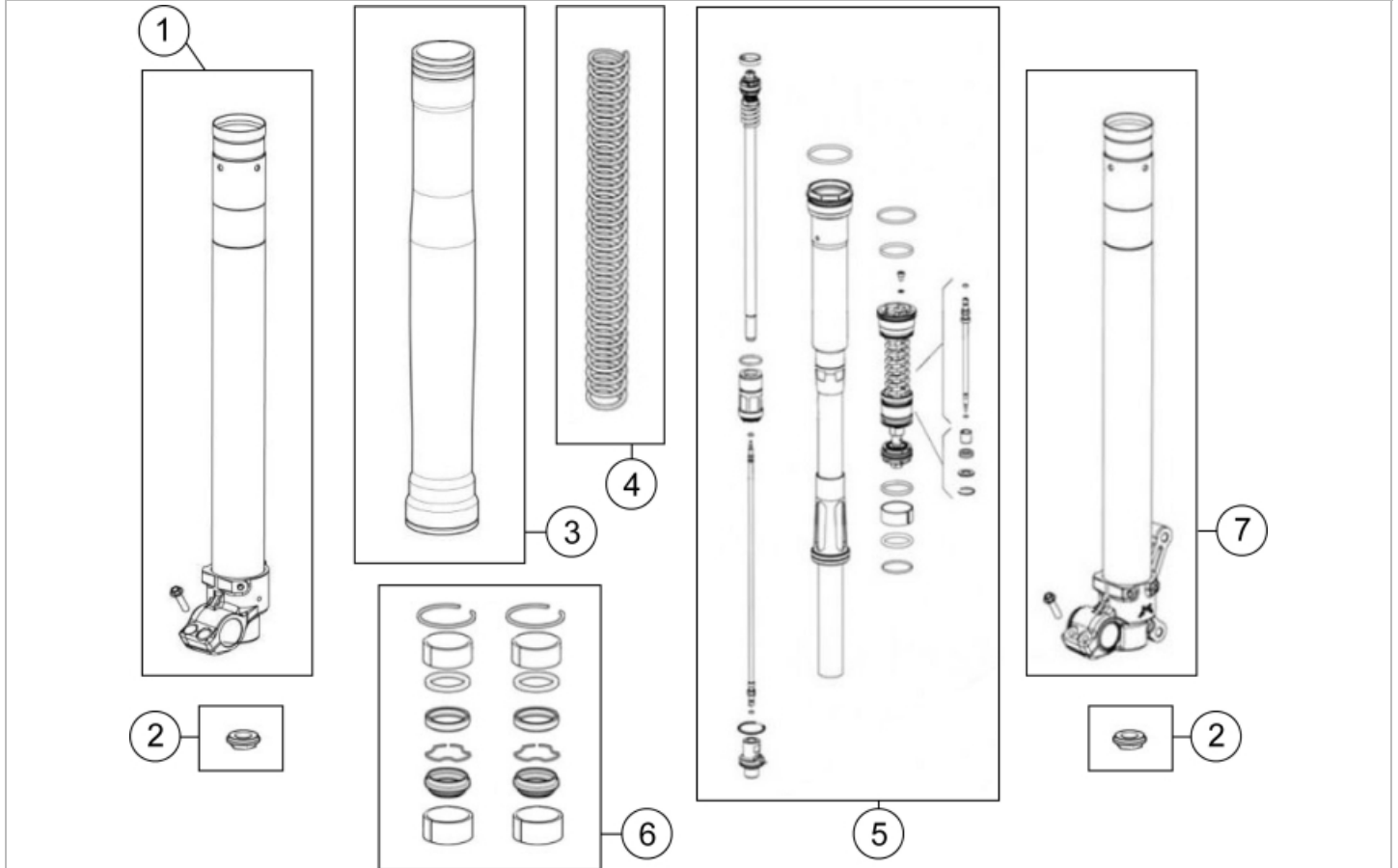


1	<ul style="list-style-type: none"> <li>● STEERING SHAFT NUT 0/000.340.9102 (u. 1)</li> <li>● TUERCA DIR.SUP. BE25610030 (u. 1)</li> </ul>	OBSOLETE
2	<ul style="list-style-type: none"> <li>● TOP FORK CLAMP BE220002510 (u. 1)</li> </ul>	
3	<ul style="list-style-type: none"> <li>● ALLEN DIN 912 7X30 12.9 ZN T0307030 (u. 1)</li> <li>● ALLEN BOLT 7X30 DIN 912 ZINC 12.9 0/000.460.9151 (u. 1)</li> </ul>	OBSOLETE
4	<ul style="list-style-type: none"> <li>● LOWER STEERING SHAFT NUT 0/000.340.9101 (u. 1)</li> <li>● TUERCA DIR.INFE. BE25610029 (u. 1)</li> </ul>	OBSOLETE
5	<ul style="list-style-type: none"> <li>● BEARING DUST COVER BLANCO 0/000.200.9102 (u. 1)</li> <li>● GUARDAPOLVO COJ.DIR.TT BE25610126 (u. 1)</li> </ul>	OBSOLETE
6	<ul style="list-style-type: none"> <li>● STEERING WASHER 0/000.440.9101 (u. 1)</li> <li>● ARANDELA DIR.INF. BE25610028 (u. 1)</li> </ul>	OBSOLETE
7	<ul style="list-style-type: none"> <li>● STEERING BEARING 30205A 0/000.960.9101 (u. 1)</li> <li>● COJINETE DIR.30205A BE25610008 (u. 1)</li> </ul>	OBSOLETE
8	<ul style="list-style-type: none"> <li>● BUSHING STEERING SHAFT BE20000033012 (u. 1)</li> </ul>	OBSOLETE



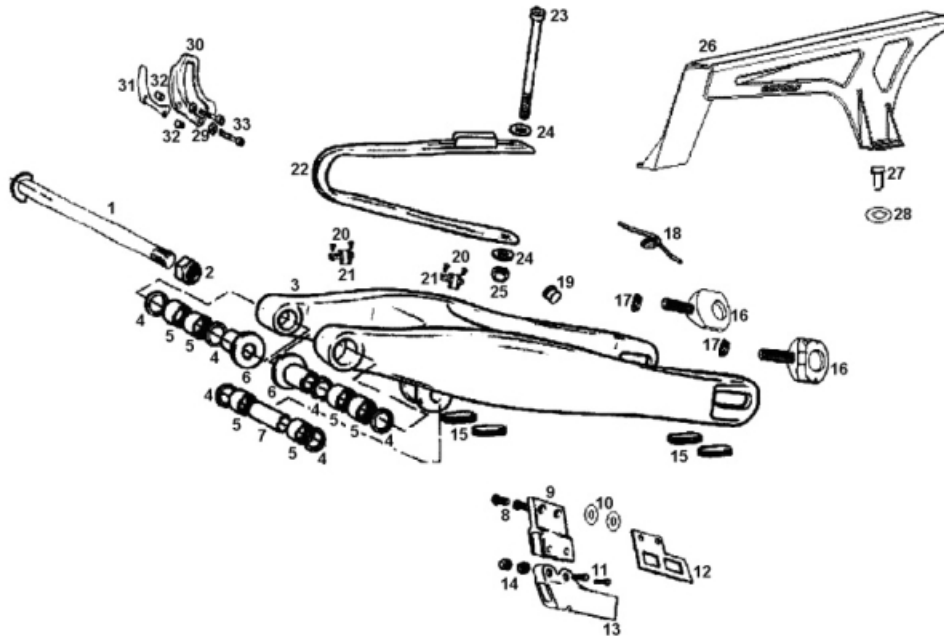
9	<ul style="list-style-type: none"> <li>● SET SCREW M6X8 BE250310073 (u. 1)</li> </ul>	
10	<ul style="list-style-type: none"> <li>● STEERING BEARING INF.320/28 0/000.960.9100 (u. 1)</li> </ul>	
	<ul style="list-style-type: none"> <li>● COJINETE DIR.INF.320/28 BE250610008 (u. 1)</li> </ul>	OBSOLETE
11	<ul style="list-style-type: none"> <li>● TORICA DIR.50X5 BE25610012 (u. 1)</li> </ul>	OBSOLETE
	<ul style="list-style-type: none"> <li>● STEERING O-RING 50x5 0/000.490.9102 (u. 1)</li> </ul>	
12	<ul style="list-style-type: none"> <li>● STEERING CAP D.28 0/000.200.9101 (u. 1)</li> </ul>	
	<ul style="list-style-type: none"> <li>● CAZOLETA DIR.D28 BE250610026 (u. 1)</li> </ul>	OBSOLETE
13	<ul style="list-style-type: none"> <li>● BOTTOM FORK CLAMP EC2010 BE210002510 (u. 1)</li> </ul>	
14	<ul style="list-style-type: none"> <li>● STEERING SHAFT BE250614003 (u. 1)</li> </ul>	
15	<ul style="list-style-type: none"> <li>● ALLEN BOLT 8X10 DIN 912 ZINC 12.9 0/000.460.9152 (u. 1)</li> </ul>	
	<ul style="list-style-type: none"> <li>● ALLEN M-8X10 (8.8) (DIN 912) T0308010 (u. 1)</li> </ul>	OBSOLETE
16	<ul style="list-style-type: none"> <li>● CAP PROT.MOSS SR1015 (REF.12153) BE250420068 (u. 1)</li> </ul>	OBSOLETE
17	<ul style="list-style-type: none"> <li>● HOSE GUIDE EC 2011 BE215202511 (u. 1)</li> </ul>	
18	<ul style="list-style-type: none"> <li>● HEX BOLT WASHER 6x14 (Fork Brace) DIN 6921 0/000.460.9118 (u. 1)</li> </ul>	
	<ul style="list-style-type: none"> <li>● EXAG.6x14+ARANDELA INCORP. T0206014 (u. 1)</li> </ul>	OBSOLETE
19	<ul style="list-style-type: none"> <li>● FRONT FORK MZ.48 RACING 2011 Y1311220 BE20000R3011 (u. 1)</li> </ul>	
20	<ul style="list-style-type: none"> <li>● ALLEN BOLT 6x30 DIN 6921 GEOMET 0/000.460.9123 (u. 1)</li> </ul>	
	<ul style="list-style-type: none"> <li>● TORN.ESP.M6x30 T0206030 (u. 1)</li> </ul>	OBSOLETE
21	<ul style="list-style-type: none"> <li>● FRONT WHEEL AXIS BC250718017 (u. 1)</li> </ul>	
22	<ul style="list-style-type: none"> <li>● FRONT WHEEL AXIS BOLT 0/000.340.9100 (u. 1)</li> </ul>	
	<ul style="list-style-type: none"> <li>● TORN.EJE RUEDA DEL.M-22 EC250-2007 BE250718026 (u. 1)</li> </ul>	OBSOLETE
23	<ul style="list-style-type: none"> <li>● FRONT AXLE HANDLE. EC 0/000.980.9123 (u. 1)</li> </ul>	
	<ul style="list-style-type: none"> <li>● TIRADOR EJE DEL.EC BE536002511 (u. 1)</li> </ul>	OBSOLETE
24	<ul style="list-style-type: none"> <li>● WASHER 8X16X1 0/000.440.0302 (u. 1)</li> </ul>	
	<ul style="list-style-type: none"> <li>● ARANDELA 8X16X1 ZINCADA PEDAL FRENO T4008018 (u. 1)</li> </ul>	OBSOLETE
25	<ul style="list-style-type: none"> <li>● FORK PROTECTOR WHITE BE94600C2511 (u. 1)</li> </ul>	
26	<ul style="list-style-type: none"> <li>● TORN. ESPECIAL PLASTICO 5X20 RF87T T0805020 (u. 1)</li> </ul>	OBSOLETE
27	<ul style="list-style-type: none"> <li>● TORN.ESP.TORX 6X13+CASQ. T0316013 (u. 1)</li> </ul>	OBSOLETE

**Horquilla delantera Sachs**



1	<ul style="list-style-type: none"> <li>RIGHT TUBE MARZOCHI D 48 819578/R (u. 1)</li> </ul>	
2	<ul style="list-style-type: none"> <li>LOWER NUT MARZOCHI D 48 521257CH/P (u. 2)</li> </ul>	
3	<ul style="list-style-type: none"> <li>TUBE D 48 MARZOCHI 760204LA/C (u. 2)</li> </ul>	
4	<ul style="list-style-type: none"> <li>KIT MUELLE Y5142054 K 5.0 D.48 8501650/C (u. 1)</li> </ul>	<b>OBSOLETE</b>
	<ul style="list-style-type: none"> <li>KIT MUELLE Y5142050 K4.2 D.48 8501645/C (u. 1)</li> </ul>	<b>OBSOLETE</b>
	<ul style="list-style-type: none"> <li>KIT SPRING Y5142051 K4.4 D.48 8501647/C (u. 1)</li> </ul>	
	<ul style="list-style-type: none"> <li>KIT SPRING Y5142052 K4.6 D.48 8501648/C (u. 1)</li> </ul>	
5	<ul style="list-style-type: none"> <li>CARTRIDGE COMP.D48 F/A-F/R 8032082/P (u. 2)</li> </ul>	
6	<ul style="list-style-type: none"> <li>KIT MANTENIMIENTO MARZOCHI D.48 8501639/C (u. 1)</li> </ul>	<b>OBSOLETE</b>
7	<ul style="list-style-type: none"> <li>LEFT TUBE MARZOCHI D 48 819579/R (u. 1)</li> </ul>	

**Horquilla trasera**

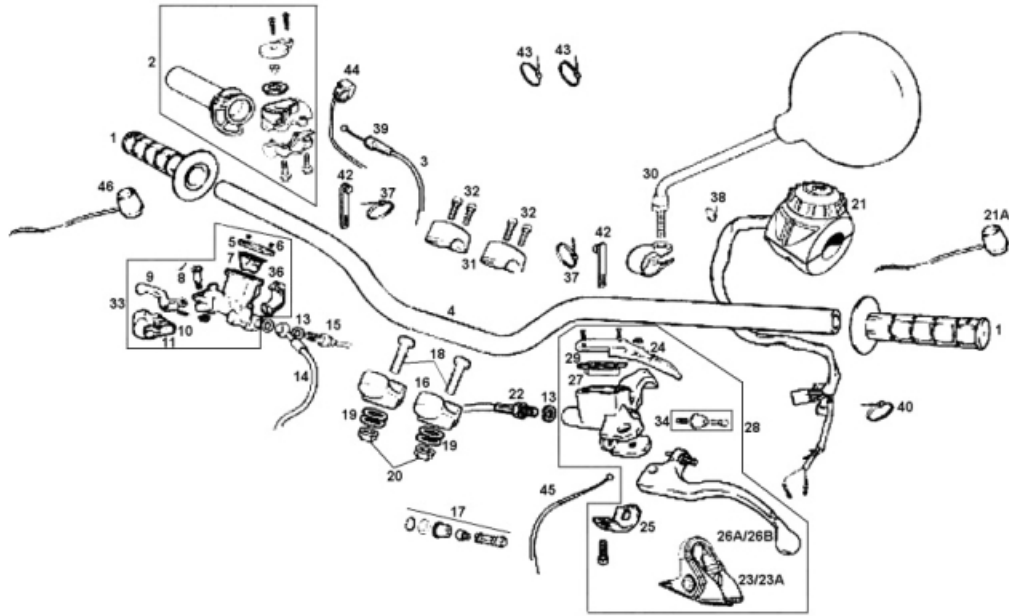


1	<ul style="list-style-type: none"> <li>● EC2003 SWINGARM SHAFT BE250312008 (u. 1)</li> </ul>	
2	<ul style="list-style-type: none"> <li>● TUERCA BASC.TT 49650 BE25612009 (u. 1)</li> </ul>	<b>OBSOLETE</b>
	<ul style="list-style-type: none"> <li>● SWINGARM NUT 0/000.340.9103 (u. 1)</li> </ul>	
3	<ul style="list-style-type: none"> <li>● SWINGARM EC - BLACK BE250612002RC (u. 1)</li> </ul>	<b>OBSOLETE</b>
4	<ul style="list-style-type: none"> <li>● 35X21 O/RING BE250510011 (u. 1)</li> </ul>	
5	<ul style="list-style-type: none"> <li>● NEEDLES BEARING DL2216 BE25614010 (u. 1)</li> </ul>	
6	<ul style="list-style-type: none"> <li>● SWINGARM BUSHING BE400012511 (u. 1)</li> </ul>	
7	<ul style="list-style-type: none"> <li>● BUSHING 14X22X57 BE25612014 (u. 1)</li> </ul>	
8	<ul style="list-style-type: none"> <li>● Allen Bolt 8X20 T0308020 (u. 1)</li> </ul>	
9	<ul style="list-style-type: none"> <li>● SOP.GUIA CADENA CROSS 250-2002 BC250221018 (u. 1)</li> </ul>	<b>OBSOLETE</b>
10	<ul style="list-style-type: none"> <li>● WASHER 6x12x1.5 DIN 125 ZINC 0/000.440.9124 (u. 1)</li> </ul>	
	<ul style="list-style-type: none"> <li>● ARANDELA PLANA 6X12X1.5 (DIN 125) T4006012 (u. 1)</li> </ul>	<b>OBSOLETE</b>
11	<ul style="list-style-type: none"> <li>● HEAD SCREW 6x40 GEOMET 10.9 0/000.460.9125 (u. 1)</li> </ul>	
	<ul style="list-style-type: none"> <li>● HEAD SCREW 6x40 GEOMET 10.9 0/000.460.9125 (u. 1)</li> </ul>	

12	<ul style="list-style-type: none"> <li>● 2004 CROSS CHAIN GUIDE STRAIN PLATE MCSM BC250412032 (u. 1)</li> </ul>	
13	<ul style="list-style-type: none"> <li>● CROSS CHAIN GUIDE BE420002511 (u. 1)</li> </ul>	
14	<ul style="list-style-type: none"> <li>● TUERCA AUTOBLOC. M-6 C/ARAND DIN-6926 ZINC 0/000.340.9117 (u. 1)</li> </ul>	<b>OBSOLETE</b>
	<ul style="list-style-type: none"> <li>● PASSENGER FOOTREST NUT 0/000.340.0170 (u. 1)</li> </ul>	
	<ul style="list-style-type: none"> <li>● PASSENGER FOOTREST NUT 0/000.340.0170 (u. 1)</li> </ul>	
	<ul style="list-style-type: none"> <li>● PASSENGER FOOTREST NUT 0/000.340.0170 (u. 1)</li> </ul>	
	<ul style="list-style-type: none"> <li>● TUERCA AUTOBLOC.DIN-6926 M-6 C/ARAND ZN T2206002 (u. 1)</li> </ul>	<b>OBSOLETE</b>
15	<ul style="list-style-type: none"> <li>● SWINGARM PROTECTOR RUBBER BE25836005 (u. 1)</li> </ul>	
16	<ul style="list-style-type: none"> <li>● TENSOR RUEDA 2004 BE250418022 (u. 1)</li> </ul>	<b>OBSOLETE</b>
	<ul style="list-style-type: none"> <li>● CTO.TENSOR RUEDA 2004 BE250418022CT (u. 1)</li> </ul>	<b>OBSOLETE</b>
17	<ul style="list-style-type: none"> <li>● CYLINDER BASE NUT 8.8 10X1.5 ZINC 0/000.340.9105 (u. 1)</li> </ul>	
	<ul style="list-style-type: none"> <li>● TUERCA CIL.8.8 ESP.10/150 C13 =ME2561603 M01613001 (u. 1)</li> </ul>	<b>OBSOLETE</b>
18	<ul style="list-style-type: none"> <li>● SPRING BE250718122 (u. 1)</li> </ul>	
19	<ul style="list-style-type: none"> <li>● SWING ARM CAP BE250436001 (u. 1)</li> </ul>	
20	<ul style="list-style-type: none"> <li>● ULS 5X12 T0505012 (u. 1)</li> </ul>	<b>OBSOLETE</b>
21	<ul style="list-style-type: none"> <li>● SUJ.LATIG.SOBRE BASC. BE25612006 (u. 1)</li> </ul>	<b>OBSOLETE</b>
	<ul style="list-style-type: none"> <li>● SWINGARM HOSE HOLDER 0/000.630.9101 (u. 1)</li> </ul>	
22	<ul style="list-style-type: none"> <li>● CHAIN SLIDER BE420502508 (u. 1)</li> </ul>	
23	<ul style="list-style-type: none"> <li>● 6X100 ALLEN BOLT T03060100 (u. 1)</li> </ul>	
24	<ul style="list-style-type: none"> <li>● WASHER 6x18x1.5 ZINC 0/000.440.9126 (u. 1)</li> </ul>	
	<ul style="list-style-type: none"> <li>● ARANDELA 6X18X1.5 (DIN 9021) T4006018 (u. 1)</li> </ul>	<b>OBSOLETE</b>
25	<ul style="list-style-type: none"> <li>● TUERCA AUTOBL.M-6 ALTA(CEX) T2106002 (u. 1)</li> </ul>	<b>OBSOLETE</b>
26	<ul style="list-style-type: none"> <li>● PROTECTIVE TILT BE250328011 (u. 1)</li> </ul>	<b>OBSOLETE</b>
27	<ul style="list-style-type: none"> <li>● TORNILLO ULS 6X16 ISO 7380-1 ZINC 12.9 T0506016 (u. 1)</li> </ul>	<b>OBSOLETE</b>
28	<ul style="list-style-type: none"> <li>● 2007 ENDURO CHAINGUARD BUSH BE250720106 (u. 1)</li> </ul>	
29	<ul style="list-style-type: none"> <li>● ARANDELA PLANA 6X12X1.5 (DIN 125) T4006012 (u. 1)</li> </ul>	<b>OBSOLETE</b>
	<ul style="list-style-type: none"> <li>● WASHER 6x12x1.5 DIN 125 ZINC 0/000.440.9124 (u. 1)</li> </ul>	
30	<ul style="list-style-type: none"> <li>● PLASTIC GEAR PROTECTOR BE486002508 (u. 1)</li> </ul>	

<b>31</b>	<ul style="list-style-type: none"><li>GEAR PROTECTOR BRACKET ME25636021 (u. 1)</li></ul>	
<b>32</b>	<ul style="list-style-type: none"><li>LOAD LIMITER BUSH 0/000.980.9112 (u. 1)</li><li>CASQ.DIST.PIÑON ME250036019 (u. 1)</li></ul>	<b>OBSOLETE</b>
<b>33</b>	<ul style="list-style-type: none"><li>ALLEN 6x45 12.9 T0306045 (u. 1)</li><li>ALLEN BOLT 6X45 DIN 912 ZINC 12.9 0/000.460.9149 (u. 1)</li></ul>	<b>OBSOLETE</b>

**HANDLEBAR**



1	<ul style="list-style-type: none"> <li>● JUEGO EMPUÑADURAS RENTHAL (G087A)GRIS OSCURO BE26100GG-CRB-1 (u. 1)</li> </ul>	OBSOLETE
	<ul style="list-style-type: none"> <li>● HANDLEBAR PRO GRIP CA0799 BE26100N3010 (u. 1)</li> </ul>	OBSOLETE
2	<ul style="list-style-type: none"> <li>● TWIST GRIP 0/000.530.9100 (u. 1)</li> </ul>	
	<ul style="list-style-type: none"> <li>● PUÑO GAS TT (3291.03.00-1) BE25724007 (u. 1)</li> </ul>	OBSOLETE
3	<ul style="list-style-type: none"> <li>● THROTTLE CABLE EC BE785002509 (u. 1)</li> </ul>	
4	<ul style="list-style-type: none"> <li>● HANDLEBAR RENTHAL RACING 2010 0/000.170.9102 (u. 1)</li> </ul>	
	<ul style="list-style-type: none"> <li>● MANILLAR RENTHAL RACING 2010 BE25000R2510 (u. 1)</li> </ul>	OBSOLETE
5	<ul style="list-style-type: none"> <li>● BRAKE PUMP COVER BC25922210 (u. 1)</li> </ul>	
6	<ul style="list-style-type: none"> <li>● BRAKE PUMP SCREW BC25922217 (u. 1)</li> </ul>	
7	<ul style="list-style-type: none"> <li>● NOFOAM RUBBER BC25922216 (u. 1)</li> </ul>	
8	<ul style="list-style-type: none"> <li>● SPECIAL SCREW BC25922212 (u. 1)</li> </ul>	
9	<ul style="list-style-type: none"> <li>● FRONT BRAKE LEVER RACING BC250022045R (u. 1)</li> </ul>	
10	<ul style="list-style-type: none"> <li>● PUMP LEVER TENSOR BC25922218 (u. 1)</li> </ul>	
11	<ul style="list-style-type: none"> <li>● DUST COVER BC25922213 (u. 1)</li> </ul>	

13	<ul style="list-style-type: none"> <li>HOSE WASHER 10X4X1 BE25622007 (u. 1)</li> </ul>	
14	<ul style="list-style-type: none"> <li>FRONT BRAKE HOSE BE250422002 (u. 1)</li> </ul>	
15	<ul style="list-style-type: none"> <li>SWITCH STOP 0/000.720.9104 (u. 1)</li> <li>INTERRUPTOR 23-016/1 STOP BOMBA NISSIN 3 BE250334003 (u. 1)</li> </ul>	OBSOLETE
16	<ul style="list-style-type: none"> <li>HANDLEBAR CLAMP (LOWER) BE250614013 (u. 1)</li> </ul>	OBSOLETE
17	<ul style="list-style-type: none"> <li>ØAø BRAKE PUMP PISTON KIT BC25922219 (u. 1)</li> </ul>	
18	<ul style="list-style-type: none"> <li>TORN.ESP.10X45 BRIDA INF. T0201045 (u. 1)</li> <li>10X45 SPEZIAL BOLT G5 12.9 0/000.460.9113 (u. 1)</li> </ul>	OBSOLETE
19	<ul style="list-style-type: none"> <li>35X30X10 WASHER BE250314035 (u. 1)</li> </ul>	
20	<ul style="list-style-type: none"> <li>TUERCA CIL.8.8 ESP.10/150 C13 =ME2561603 M01613001 (u. 1)</li> <li>CYLINDER BASE NUT 8.8 10X1.5 ZINC 0/000.340.9105 (u. 1)</li> </ul>	OBSOLETE
21	<ul style="list-style-type: none"> <li>LIGHT SWITCH EC 2012 EE10000043012 (u. 1)</li> </ul>	
21_	<ul style="list-style-type: none"> <li>LIGHT SWITCH EC 2012 EE10000043012 (u. 1)</li> <li>RACING SWITCH EE602002511 (u. 1)</li> </ul>	
22	<ul style="list-style-type: none"> <li>CLUTCH HOSE BE250522003 (u. 1)</li> </ul>	
23_	<ul style="list-style-type: none"> <li>DUST SHIELD BE45000093011 (u. 1)</li> <li>DUST SHIELD FOR LEVER BE45000083011 (u. 1)</li> </ul>	OBSOLETE
23	<ul style="list-style-type: none"> <li>DUST SHIELD FOR LEVER BE45000083011 (u. 1)</li> </ul>	OBSOLETE
24	<ul style="list-style-type: none"> <li>CHOKE LEVER BE45000073011 (u. 1)</li> </ul>	
25	<ul style="list-style-type: none"> <li>CLAMP, HOLDER BE45000063011 (u. 1)</li> </ul>	
26_	<ul style="list-style-type: none"> <li>LEVER CORTA CLUTCH(0723121) BE45000023011 (u. 1)</li> <li>LONG CLUTCH LEVER BE45000033011 (u. 1)</li> </ul>	
27	<ul style="list-style-type: none"> <li>MEMBRANAPàsITO (0723162) BE45000103011 (u. 1)</li> <li>TAPA BOMBA EMBRAGUE NEGRA 167.2 0/000.350.9119 (u. 1)</li> </ul>	OBSOLETE
28	<ul style="list-style-type: none"> <li>CLUTCH PUMP MAGURA 9,5 (167) 0020747 BE45000013011 (u. 1)</li> </ul>	OBSOLETE
29	<ul style="list-style-type: none"> <li>COVER OIL MINERAL (0723164) BE45000053011 (u. 1)</li> <li>TAPA BOMBA EMBRAGUE NEGRA 167.2 0/000.350.9119 (u. 1)</li> </ul>	

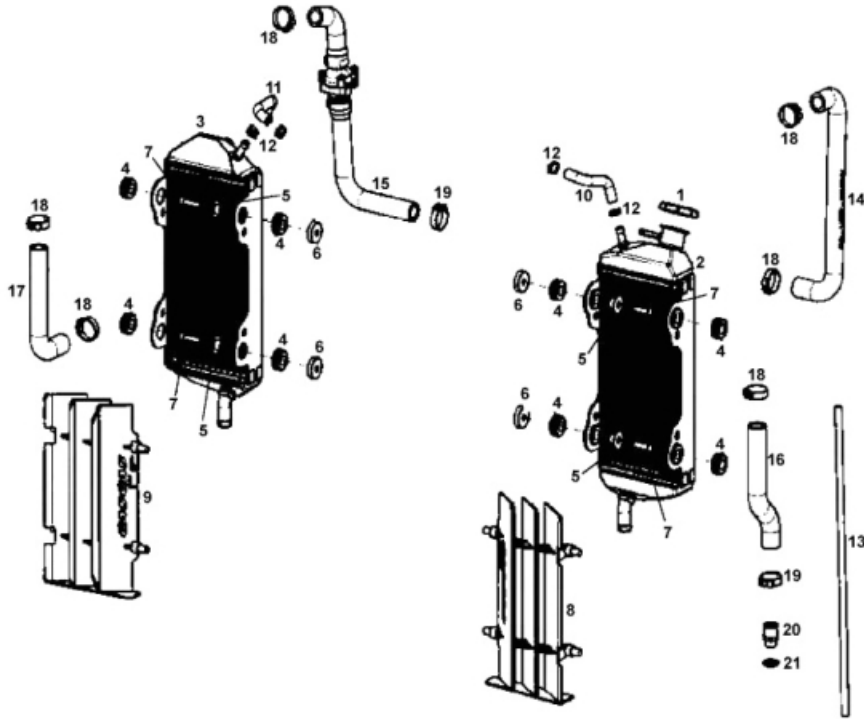
	<ul style="list-style-type: none"> <li>● SET MIRROR (REG 81) 0/000.990.9100 (u. 1)</li> </ul>	
30	<ul style="list-style-type: none"> <li>● ESPEJO RETROVISOR(CEX) L300760 (u. 1)</li> </ul>	<b>OBSOLETE</b>
	<ul style="list-style-type: none"> <li>● CTO.ESPEJO RETROVISOR(REG 81) BT29000GG-CKR-1 (u. 1)</li> </ul>	<b>OBSOLETE</b>
31	<ul style="list-style-type: none"> <li>● HANDLEBAR CLAMP (UPPER) BE250614012 (u. 1)</li> </ul>	
32	<ul style="list-style-type: none"> <li>● Allen Bolt 8X30 12.9 (cylinder head) T0308030 (u. 1)</li> </ul>	
	<ul style="list-style-type: none"> <li>● BOMBA FRENO DEL.NISSIN=BC25922008/2 BC25922008 (u. 1)</li> </ul>	<b>OBSOLETE</b>
33	<ul style="list-style-type: none"> <li>● FRONT BRAKE PUMP 0/000.820.9106 (u. 1)</li> </ul>	
	<ul style="list-style-type: none"> <li>● BOMBA FRENO DEL.NISSIN=BC25922008 BC25922008/2 (u. 1)</li> </ul>	<b>OBSOLETE</b>
	<ul style="list-style-type: none"> <li>● FRONT BRAKE PUMP 0/000.820.9106 (u. 1)</li> </ul>	
34	<ul style="list-style-type: none"> <li>● PISTON KIT, 9.5mm (0723184) BE45000043011 (u. 1)</li> </ul>	
36	<ul style="list-style-type: none"> <li>● BIG CLAMP BC25922211 (u. 1)</li> </ul>	
	<ul style="list-style-type: none"> <li>● CLAMP 0/000.680.0060 (u. 1)</li> </ul>	
37	<ul style="list-style-type: none"> <li>● BRIDA UNEX NYLON 2244 4.8X20 0/000.660.9105 (u. 1)</li> </ul>	<b>OBSOLETE</b>
	<ul style="list-style-type: none"> <li>● BRIDA UNEX 2244 4.8X20 BE25634009 (u. 1)</li> </ul>	<b>OBSOLETE</b>
	<ul style="list-style-type: none"> <li>● BRIDA 2,5x100 T18ROS-PA66HS-BK 0/000.680.0081 (u. 1)</li> </ul>	
38	<ul style="list-style-type: none"> <li>● BRIDA nylon CORTA 2221-0 2.5X98 =P380003 BE25634010 (u. 1)</li> </ul>	<b>OBSOLETE</b>
	<ul style="list-style-type: none"> <li>● SHORT UNEX CLAMP 2.5x98 0/000.660.9106 (u. 1)</li> </ul>	
39	<ul style="list-style-type: none"> <li>● Throttle Cable Rubber G600000 (u. 1)</li> </ul>	
	<ul style="list-style-type: none"> <li>● BRIDA nylon CORTA 2221-0 2.5X98 =P380003 BE25634010 (u. 1)</li> </ul>	<b>OBSOLETE</b>
40	<ul style="list-style-type: none"> <li>● BRIDA 2,5x100 T18ROS-PA66HS-BK 0/000.680.0081 (u. 1)</li> </ul>	
	<ul style="list-style-type: none"> <li>● SHORT UNEX CLAMP 2.5x98 0/000.660.9106 (u. 1)</li> </ul>	
	<ul style="list-style-type: none"> <li>● CLAMP 0/000.680.0060 (u. 1)</li> </ul>	
42	<ul style="list-style-type: none"> <li>● RUBBER CABLE TIES 0/000.360.9110 (u. 1)</li> </ul>	
	<ul style="list-style-type: none"> <li>● GOMA SUJ.CABLEADOS BFS450320067 (u. 1)</li> </ul>	<b>OBSOLETE</b>
	<ul style="list-style-type: none"> <li>● BRIDA UNEX 2244 16/102 4.8X36 BE25634007 (u. 1)</li> </ul>	<b>OBSOLETE</b>
43	<ul style="list-style-type: none"> <li>● CLAMP 0/000.680.0060 (u. 1)</li> </ul>	
	<ul style="list-style-type: none"> <li>● UNEX CLAMP 4.8X36 NYLON 0/000.660.9104 (u. 1)</li> </ul>	
44	<ul style="list-style-type: none"> <li>● KILL BUTTON, CDI TRIAL PRO 2010 ET511902810 (u. 1)</li> </ul>	



46

- Kill Button  
BC250334055 (u. 1)

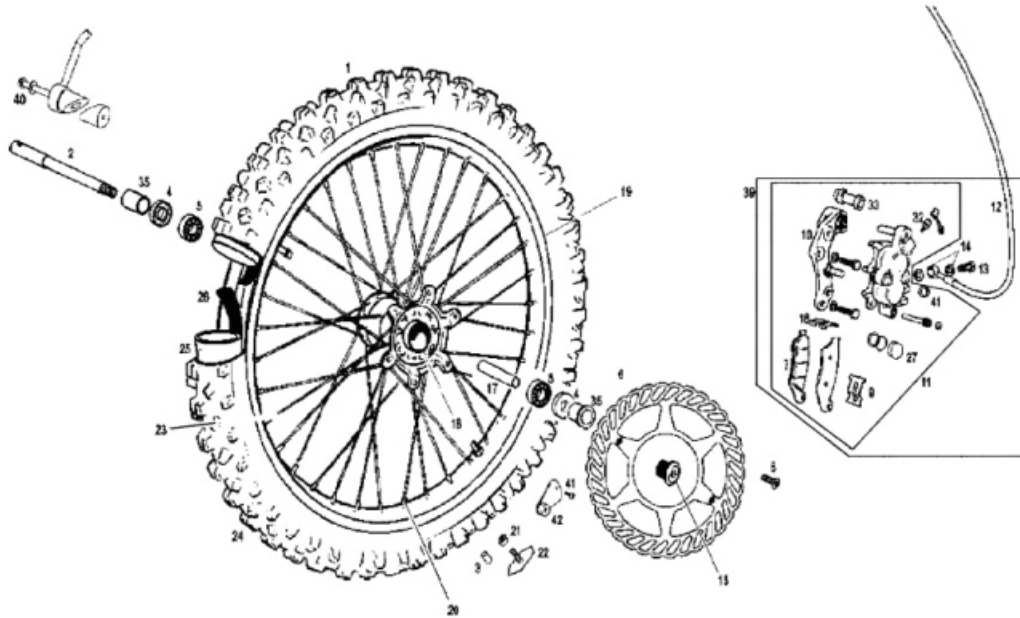
**RADIATOR**



1	<ul style="list-style-type: none"> <li>● TAPON RADIADOR MR 1.8 2021 0/000.410.9108 (u. 1)</li> <li>● RADIATOR CAP BEHR 1.8 BFS701504509 (u. 1)</li> </ul>	<b>OBSOLETE</b>
2	<ul style="list-style-type: none"> <li>● RAD.IZQ.EC-250-2011 2T TAP.1,8 BAR Y3522 BE700502511 (u. 1)</li> <li>● RADIATOR, LEFT, EC-250-2014 2T BE700503013 (u. 1)</li> </ul>	<b>OBSOLETE</b>
3	<ul style="list-style-type: none"> <li>● RAD.DCH.K0782 EC-2007 2T BE250732000 (u. 1)</li> <li>● RADIATOR, RIGHT, EC-2014 2T BE700003013 (u. 1)</li> </ul>	<b>OBSOLETE</b>
4	<ul style="list-style-type: none"> <li>● SILENBLOCK RADIATOR EC BIE500132031 (u. 1)</li> </ul>	
5	<ul style="list-style-type: none"> <li>● LOWER RADIATOR HOLDER BUSHING BE25832040 (u. 1)</li> </ul>	
6	<ul style="list-style-type: none"> <li>● BUSHING, 6.25X25X7 T90062250007K (u. 1)</li> </ul>	
7	<ul style="list-style-type: none"> <li>● Allen Bolt 6x25 (clutch cover) T0306025 (u. 1)</li> </ul>	
8	<ul style="list-style-type: none"> <li>● RIGHT RADIATOR RACK BE250720001 (u. 1)</li> </ul>	
9	<ul style="list-style-type: none"> <li>● LEFT RADIATOR RACK BE250720002 (u. 1)</li> </ul>	
10	<ul style="list-style-type: none"> <li>● RADIATOR HOSE LEFT BE70000023012 (u. 1)</li> </ul>	
11	<ul style="list-style-type: none"> <li>● RADIATOR HOSE RIGHT BE70000013012 (u. 1)</li> </ul>	

12	<ul style="list-style-type: none"> <li>8 W4 CONDUCTO ACEITE MFS400110031 (u. 1)</li> </ul>	
13	<ul style="list-style-type: none"> <li>RADIATOR BREATHE HOSE 5X8 ù 39CM 0/000.290.9117 (u. 1)</li> </ul>	
	<ul style="list-style-type: none"> <li>TUBO SOBRANTE RAD.5X8 - 39cm.- TT-96 BE25632009 (u. 1)</li> </ul>	<b>OBSOLETE</b>
14	<ul style="list-style-type: none"> <li>LEFT UPPER RADIATOR HOSE BE250732002 (u. 1)</li> </ul>	
15	<ul style="list-style-type: none"> <li>T/STAT HOSE, 250/300 2011 BE710102511 (u. 1)</li> </ul>	
16	<ul style="list-style-type: none"> <li>LEFT LOWER RADIATOR HOSE BE250432007 (u. 1)</li> </ul>	<b>OBSOLETE</b>
	<ul style="list-style-type: none"> <li>LEFT LOWER RADIATOR HOSE BE25632007 (u. 1)</li> </ul>	
17	<ul style="list-style-type: none"> <li>RIGHT LOWER RADIATOR HOSE BE25632006 (u. 1)</li> </ul>	
18	<ul style="list-style-type: none"> <li>CLAMP 0/000.680.0535 (u. 1)</li> </ul>	
	<ul style="list-style-type: none"> <li>22mm Hose Clamp L200038 (u. 1)</li> </ul>	<b>OBSOLETE</b>
19	<ul style="list-style-type: none"> <li>23mm Hose Clamp L200041 (u. 1)</li> </ul>	
20	<ul style="list-style-type: none"> <li>NIPPLE HOSE JOINT ME25610013 (u. 1)</li> </ul>	
21	<ul style="list-style-type: none"> <li>WASHER FIBER 14X20X2 ME25610014 (u. 1)</li> </ul>	

## FRONT WHEEL

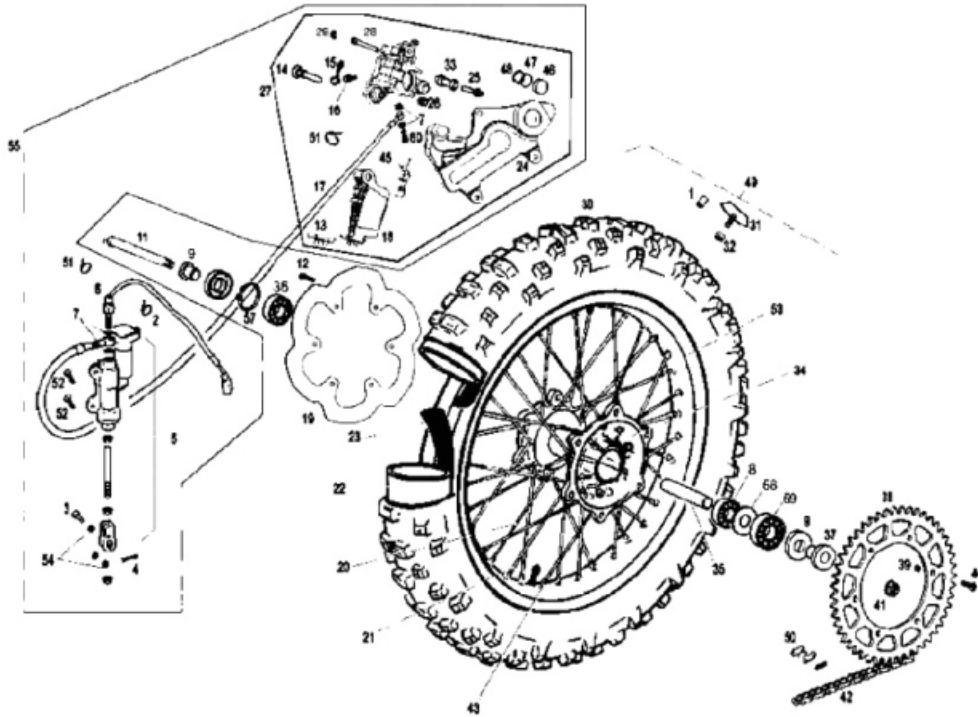


2	<ul style="list-style-type: none"> <li>● EJE RUEDA DEL.EC-2011 20.8CM BE53000R3011 (u. 1)</li> <li>● FRONT WHEEL AXLE EC 2011 20.8CM 0/000.190.9102 (u. 1)</li> </ul>	<b>OBSOLETE</b>
3	<ul style="list-style-type: none"> <li>● CASQ.AGARRE CUBIERTA EC-2010 8X12X12 BE555102510 (u. 1)</li> <li>● FR. TIRE HOLDING BUSHING EC-2010 8X12X12 0/000.480.9112 (u. 1)</li> </ul>	<b>OBSOLETE</b>
4	<ul style="list-style-type: none"> <li>● FRONT WHEEL GASKET BE250418057 (u. 1)</li> </ul>	
5	<ul style="list-style-type: none"> <li>● Front Wheel Bearing 04 Pro ME120136055 (u. 1)</li> </ul>	
6	<ul style="list-style-type: none"> <li>● DISCO FRENO DELANTERO ENDURO 2018 BE52000GG-CLJ-1 (u. 1)</li> </ul>	<b>OBSOLETE</b>
	<ul style="list-style-type: none"> <li>● FRONT BRAKE DISCK MR 260mm 0/001.090.9107 (u. 1)</li> </ul>	
	<ul style="list-style-type: none"> <li>● FRONT BRAKE DISK WAVE GALFER 0913 BE520002509 (u. 1)</li> <li>● DISC BRAKE FRONT ENDURO 2018 260mm 0/001.090.9105 (u. 1)</li> </ul>	<b>OBSOLETE</b> <b>OBSOLETE</b>
7	<ul style="list-style-type: none"> <li>● FRONT BRAKE PADS BE620652508 (u. 1)</li> </ul>	
8	<ul style="list-style-type: none"> <li>● TORX ULS SCREW 6X14 T0566014 (u. 1)</li> </ul>	
9	<ul style="list-style-type: none"> <li>● FRONT BRAKE PADS HOLDER BRACKET (A) BE620112508 (u. 1)</li> </ul>	
10	<ul style="list-style-type: none"> <li>● FRONT CALIPER SUPPORT BE620102508 (u. 1)</li> </ul>	

11	<ul style="list-style-type: none"> <li>PINZA FRENO DEL+SOP.272-C00-400 EC-2007 BE250722000 (u. 1)</li> </ul>	OBSOLETE
	<ul style="list-style-type: none"> <li>FRONT BRAKE CALIPER 0/000.860.9101 (u. 1)</li> </ul>	
12	<ul style="list-style-type: none"> <li>FRONT BRAKE HOSE BE250422002 (u. 1)</li> </ul>	
13	<ul style="list-style-type: none"> <li>HOSE HOLDER RACORD 10X125 BC25722006 (u. 1)</li> </ul>	
14	<ul style="list-style-type: none"> <li>HOSE WASHER 10X4X1 BE25622007 (u. 1)</li> </ul>	
15	<ul style="list-style-type: none"> <li>FRONT WHEEL AXIS BOLT 0/000.340.9100 (u. 1)</li> </ul>	OBSOLETE
	<ul style="list-style-type: none"> <li>TORN.EJE RUEDA DEL.M-22 EC250-2007 BE250718026 (u. 1)</li> </ul>	
16	<ul style="list-style-type: none"> <li>FRONT BRAKE PADS HOLDER BRACKET (B) BE620122508 (u. 1)</li> </ul>	
17	<ul style="list-style-type: none"> <li>SPACER BE250418058 (u. 1)</li> </ul>	
18	<ul style="list-style-type: none"> <li>FRONT WHEEL HUB BE250418007 (u. 1)</li> </ul>	
19	<ul style="list-style-type: none"> <li>FRONT BLACK RIM 21x1.60 0/000.230.9101 (u. 1)</li> </ul>	OBSOLETE
	<ul style="list-style-type: none"> <li>LLANTA DEL.EXCEL NG.EC-2009 BE54001R2509 (u. 1)</li> </ul>	
20	<ul style="list-style-type: none"> <li>TUERCA RADIO DEL. BE250218010 (u. 1)</li> </ul>	OBSOLETE
	<ul style="list-style-type: none"> <li>KIT SPOKE-NUT FRONT WHEEL EC 2002-20013 BE542002508 (u. 1)</li> </ul>	
21	<ul style="list-style-type: none"> <li>TUERCA AUTOBLOCANTE M-8 BAJA DIN 985 ZINC. T2108001 (u. 1)</li> </ul>	OBSOLETE
	<ul style="list-style-type: none"> <li>AUTOLOCK NUT 8MM DIN 985 ZINC 0/000.340.9114 (u. 1)</li> </ul>	
22	<ul style="list-style-type: none"> <li>AGARRE DEL.EC-2009 1.6x21 BE505002509 (u. 1)</li> </ul>	OBSOLETE
	<ul style="list-style-type: none"> <li>FRONT TIRE HOLDER 1.6x21 0/000.220.9114 (u. 1)</li> </ul>	
23	<ul style="list-style-type: none"> <li>RADIO DEL.EC-2008 BE542012508 (u. 1)</li> </ul>	OBSOLETE
	<ul style="list-style-type: none"> <li>KIT SPOKE-NUT FRONT WHEEL EC 2002-20013 BE542002508 (u. 1)</li> </ul>	
24	<ul style="list-style-type: none"> <li>NEUMATICO DEL.90/90-21 MICHELIN M/C 54M BE501002511 (u. 1)</li> </ul>	OBSOLETE
	<ul style="list-style-type: none"> <li>NEUMATICO DEL.90/90-21 MICHELIN M/C 54M 0/000.510.9100 (u. 1)</li> </ul>	
25	<ul style="list-style-type: none"> <li>CAMARA DELANTERA 21MDR VALVE TR4 BE502002511 (u. 1)</li> </ul>	OBSOLETE
	<ul style="list-style-type: none"> <li>CAMARA DELANTERA 21MDR VALVE TR4 833092 0/000.520.9100 (u. 1)</li> </ul>	
26	<ul style="list-style-type: none"> <li>PROTECTOR BANDA DELANTERA FLAP 1.60/1.85 X 21(1400X25) BE503002511 (u. 1)</li> </ul>	OBSOLETE
	<ul style="list-style-type: none"> <li>PROT.BANDA DEL.FLAP 1.60/1.85 X 21(1400X25) 949947 0/000.220.9108 (u. 1)</li> </ul>	
27	<ul style="list-style-type: none"> <li>FRONT BRAKE CALIPER PISTON BE620422508 (u. 1)</li> </ul>	
32	<ul style="list-style-type: none"> <li>BLEEDER SET BE620602508 (u. 1)</li> </ul>	

33	<ul style="list-style-type: none"> <li>FRONT BRAKE CALIPER BLEEDER BE620682508 (u. 1)</li> </ul>	
35	<ul style="list-style-type: none"> <li>FRONT WHEEL SPACER 0/000.480.9100 (u. 1)</li> </ul>	
	<ul style="list-style-type: none"> <li>DIST.RUEDA DEL.2004 BC250418019 (u. 1)</li> </ul>	<b>OBSOLETE</b>
39	<ul style="list-style-type: none"> <li>FRONT BRAKE SET 0/000.820.9107 (u. 1)</li> </ul>	
	<ul style="list-style-type: none"> <li>CTO.FRENO DEL.PURGADO ENDURO 2004 BE250422108 (u. 1)</li> </ul>	<b>OBSOLETE</b>
40	<ul style="list-style-type: none"> <li>FRONT AXLE HANDLE. EC 0/000.980.9123 (u. 1)</li> </ul>	
	<ul style="list-style-type: none"> <li>TIRADOR EJE DEL.EC BE536002511 (u. 1)</li> </ul>	<b>OBSOLETE</b>
41	<ul style="list-style-type: none"> <li>ULS 4X10 BOLT T0554010N (u. 1)</li> </ul>	
42	<ul style="list-style-type: none"> <li>SET MAGNETIC KM EC BP120734008CT (u. 1)</li> </ul>	<b>OBSOLETE</b>

**REAR WHEEL**



1	<ul style="list-style-type: none"> <li>CASQ.AGARRE CUBIERTA EC-2010 8X12X12 BE555102510 (u. 1)</li> </ul>	OBSOLETE
	<ul style="list-style-type: none"> <li>FR. TIRE HOLDING BUSHING EC-2010 8X12X12 0/000.480.9112 (u. 1)</li> </ul>	
2	<ul style="list-style-type: none"> <li>UNEX CLAMP 4.8X36 NYLON 0/000.660.9104 (u. 1)</li> </ul>	OBSOLETE
	<ul style="list-style-type: none"> <li>BRIDA UNEX 2244 16/102 4.8X36 BE25634007 (u. 1)</li> <li>CLAMP 0/000.680.0060 (u. 1)</li> </ul>	
3	<ul style="list-style-type: none"> <li>BRAKE PEDAL PIN 8X20 0/000.840.9101 (u. 1)</li> </ul>	OBSOLETE
	<ul style="list-style-type: none"> <li>PASADOR 8X20 PEDAL FRENO BE25622026 (u. 1)</li> </ul>	
4	<ul style="list-style-type: none"> <li>CLAVILLA PASADOR FRENO 2X20 BE25622027 (u. 1)</li> </ul>	OBSOLETE
	<ul style="list-style-type: none"> <li>2X20 BRAKE PEDAL PIN STOPPER 0/000.840.9102 (u. 1)</li> </ul>	
5	<ul style="list-style-type: none"> <li>NISSIN REAR BRAKE PUMP BE660002509 (u. 1)</li> </ul>	
6	<ul style="list-style-type: none"> <li>SWITCH STOP 0/000.720.9104 (u. 1)</li> </ul>	OBSOLETE
	<ul style="list-style-type: none"> <li>INTERRUPTOR 23-016/1 STOP BOMBA NISSIN 3 BE250334003 (u. 1)</li> </ul>	
7	<ul style="list-style-type: none"> <li>HOSE WASHER 10X4X1 BE25622007 (u. 1)</li> </ul>	
8	<ul style="list-style-type: none"> <li>Bearing 64042rsr C180700 (u. 1)</li> </ul>	

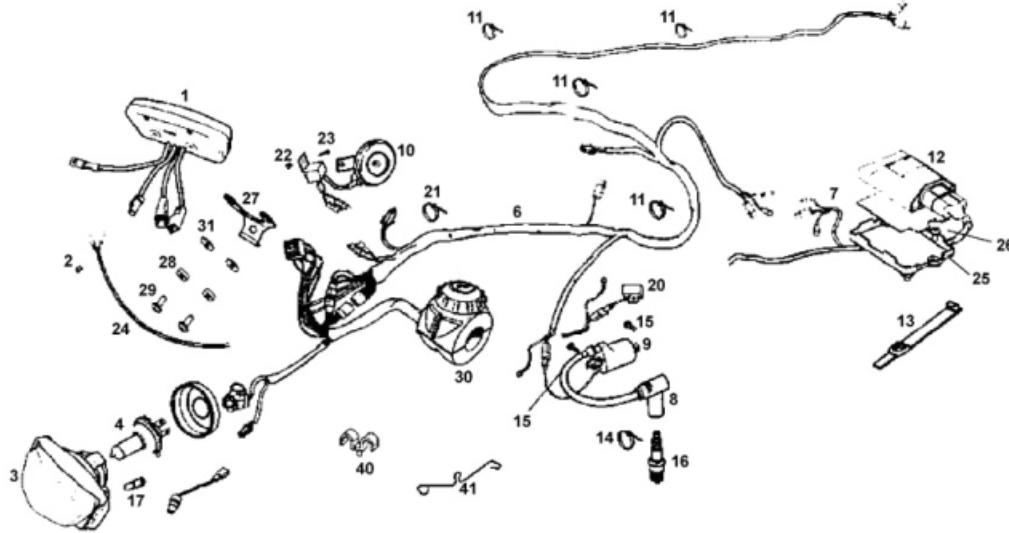
9	<ul style="list-style-type: none"> <li>REAR WHEEL SEAL BE250318055 (u. 1)</li> </ul>	
12	<ul style="list-style-type: none"> <li>EXAG.6x14+ARANDELA INCORP. T0206014 (u. 1)</li> </ul>	OBSOLETE
	<ul style="list-style-type: none"> <li>HEX BOLT WASHER 6x14 (Fork Brace) DIN 6921 0/000.460.9118 (u. 1)</li> </ul>	
13	<ul style="list-style-type: none"> <li>FRONT BRAKE PADS HOLDER BRACKET (A) BE620112508 (u. 1)</li> </ul>	
14	<ul style="list-style-type: none"> <li>CALIPER HOLDER SCREW BE250022096 (u. 1)</li> </ul>	
15	<ul style="list-style-type: none"> <li>BLEEDER CAP BE250022055 (u. 1)</li> </ul>	
16	<ul style="list-style-type: none"> <li>BLEEDER BE250022060 (u. 1)</li> </ul>	
17	<ul style="list-style-type: none"> <li>NISSIN REAR BRAKE HOSE BE661002509 (u. 1)</li> </ul>	
18	<ul style="list-style-type: none"> <li>NISSIN REAR BRAKE PADS BE675002509 (u. 1)</li> </ul>	
19	<ul style="list-style-type: none"> <li>REAR BRAKE DISC FLOR EC2009 BE570002509 (u. 1)</li> </ul>	
20	<ul style="list-style-type: none"> <li>BRAKESIDE SPOKE 192X45 WITH NUT BE250018015 (u. 1)</li> </ul>	
21	<ul style="list-style-type: none"> <li>SPROKET SIDE SPOKE 188X45 WITH NUT BE250018014 (u. 1)</li> </ul>	
22	<ul style="list-style-type: none"> <li>CAMARA TRASERA CH 18 MGR VALVE TR4 MICHELIN 0/000.520.9102 (u. 1)</li> </ul>	
	<ul style="list-style-type: none"> <li>CAMARA TRASERA CH 18 MGR VALVE TR4 MICHELIN BE552002511 (u. 1)</li> </ul>	OBSOLETE
23	<ul style="list-style-type: none"> <li>PROT.BANDA TRASERO 1.60/2.00 X 18/19 (1300X25) 656415 MICHELIN BE553002511 (u. 1)</li> </ul>	OBSOLETE
	<ul style="list-style-type: none"> <li>PROT.BANDA TRASERO 1.60/2.00 X 18/19 (1300X25) 656 0/000.220.9110 (u. 1)</li> </ul>	
24	<ul style="list-style-type: none"> <li>REAR CALIPER SUPPORT BE671002509 (u. 1)</li> </ul>	
25	<ul style="list-style-type: none"> <li>FRONT BRAKE CALIPER BOLT BE250022034 (u. 1)</li> </ul>	
26	<ul style="list-style-type: none"> <li>DUST COVER BE675802509 (u. 1)</li> </ul>	
27	<ul style="list-style-type: none"> <li>CTO.PINZA FRENO TRAS.+SOP.EC-2009 BE67000CT2509 (u. 1)</li> </ul>	OBSOLETE
	<ul style="list-style-type: none"> <li>REAR BRAKE SET 0/000.860.9102 (u. 1)</li> </ul>	
28	<ul style="list-style-type: none"> <li>BRAKE PADS PIN BE250022094 (u. 1)</li> </ul>	
29	<ul style="list-style-type: none"> <li>NISSIN PROTECTOR PIN BE250022095 (u. 1)</li> </ul>	
30	<ul style="list-style-type: none"> <li>NEUMATICO TRASERO 140/80 - 18 70R ENDURO MEDIUM R TT BE551002511 (u. 1)</li> </ul>	OBSOLETE
	<ul style="list-style-type: none"> <li>NEUMATICO TRASERO 140/80 - 18 70R ENDURO MEDIUM R 0/000.510.9102 (u. 1)</li> </ul>	
31	<ul style="list-style-type: none"> <li>REAR TYRE HOLDER 2.15x18 0/000.220.9115 (u. 1)</li> </ul>	
	<ul style="list-style-type: none"> <li>AGARRE TRAS.EC-2009 2.15x18 BE555002509 (u. 1)</li> </ul>	OBSOLETE



32	<ul style="list-style-type: none"> <li>● TUERCA AUTOBLOCANTE M-8 BAJA DIN 985 ZINC. T2108001 (u. 1)</li> </ul>	<b>OBSOLETE</b>
	<ul style="list-style-type: none"> <li>● AUTOLOCK NUT 8MM DIN 985 ZINC 0/000.340.9114 (u. 1)</li> </ul>	
33	<ul style="list-style-type: none"> <li>● SUPPORT WITH MAGNET SET BE620692508 (u. 1)</li> </ul>	<b>OBSOLETE</b>
	<ul style="list-style-type: none"> <li>● PROTECC.TORN.002.C49.011 BE250022039 (u. 1)</li> </ul>	
34	<ul style="list-style-type: none"> <li>● REAR WHEEL HUB BE250318027 (u. 1)</li> </ul>	
35	<ul style="list-style-type: none"> <li>● ALUMINIUM REAR WHEEL SPACER R575700 (u. 1)</li> </ul>	
36	<ul style="list-style-type: none"> <li>● Wheel Bearing 60042RS C160001 (u. 1)</li> </ul>	
37	<ul style="list-style-type: none"> <li>● LONG WHEEL SPACER BE250318021 (u. 1)</li> </ul>	
38	<ul style="list-style-type: none"> <li>● SPROCKET Z48 GOLD (TR124RL52048G) BE55000013012 (u. 1)</li> </ul>	
39	<ul style="list-style-type: none"> <li>● TUERCA AUTOBL+ARANDELA M8 T2208002 (u. 1)</li> </ul>	<b>OBSOLETE</b>
	<ul style="list-style-type: none"> <li>● NUT 8mm NYLOCK + WASHER ZINC 0/000.340.9119 (u. 1)</li> </ul>	<b>OBSOLETE</b>
	<ul style="list-style-type: none"> <li>● M8 NUT 0/000.340.0180 (u. 1)</li> </ul>	
	<ul style="list-style-type: none"> <li>● M8 NUT 0/000.340.0180 (u. 1)</li> </ul>	
	<ul style="list-style-type: none"> <li>● NUT 8mm NYLOCK + WASHER ZINC 0/000.340.9119 (u. 1)</li> </ul>	<b>OBSOLETE</b>
40	<ul style="list-style-type: none"> <li>● ALLEN BOLT 8x30 DIN 7991 ZINC 12.9 0/000.460.9153 (u. 1)</li> </ul>	<b>OBSOLETE</b>
	<ul style="list-style-type: none"> <li>● ALLEN+8X30 TENS.CAD. T0408030 (u. 1)</li> </ul>	
41	<ul style="list-style-type: none"> <li>● REAR NUT WHEEL. ENDURO 2018 0/000.340.9104 (u. 1)</li> </ul>	<b>OBSOLETE</b>
	<ul style="list-style-type: none"> <li>● REAR WHEEL SELFLOCKING NUT BE25618023 (u. 1)</li> </ul>	
42	<ul style="list-style-type: none"> <li>● CHAIN 520 X-RING PACKAGED 112 STEPS 0/001.050.9100 (u. 1)</li> </ul>	<b>OBSOLETE</b>
	<ul style="list-style-type: none"> <li>● CADENA ABIERTA 135 ZRA 112 PASOS CON CLIP BE57800GG-CLJ-1 (u. 1)</li> </ul>	
	<ul style="list-style-type: none"> <li>● 135ORCX112 CHAIN EC2003 BE250310036 (u. 1)</li> </ul>	
43	<ul style="list-style-type: none"> <li>● TUERCA RADIO TRAS. BE250018016 (u. 1)</li> </ul>	<b>OBSOLETE</b>
45	<ul style="list-style-type: none"> <li>● FRONT BRAKE PADS HOLDER BRACKET (B) BE620122508 (u. 1)</li> </ul>	
46	<ul style="list-style-type: none"> <li>● REAR BRAKE CALIPER PISTON BE675602509 (u. 1)</li> </ul>	
47	<ul style="list-style-type: none"> <li>● REAR BRAKE CALIPER PISTON OÆRING BE675502509 (u. 1)</li> </ul>	
48	<ul style="list-style-type: none"> <li>● REAR BRAKE CALIPER PISTON SEAL BE250022048 (u. 1)</li> </ul>	
49	<ul style="list-style-type: none"> <li>● CTO.RUEDA TRAS.EC-2011 BE55000CT2511 (u. 1)</li> </ul>	<b>OBSOLETE</b>
50	<ul style="list-style-type: none"> <li>● CHAIN SPLIT LINK BE250310066 (u. 1)</li> </ul>	

51	<ul style="list-style-type: none"> <li>BRIDA 2,5x100 T18ROS-PA66HS-BK 0/000.680.0081 (u. 1)</li> </ul>	
	<ul style="list-style-type: none"> <li>SHORT UNEX CLAMP 2.5x98 0/000.660.9106 (u. 1)</li> </ul>	
	<ul style="list-style-type: none"> <li>BRIDA nylon CORTA 2221-0 2.5X98 =P380003 BE25634010 (u. 1)</li> </ul>	<b>OBSOLETE</b>
53	<ul style="list-style-type: none"> <li>REAR BLACK RIM 18 X 2.15 0/000.230.9103 (u. 1)</li> </ul>	
	<ul style="list-style-type: none"> <li>LLANTA TRAS.EXCEL NG.EC-2009 BE59001R2509 (u. 1)</li> </ul>	<b>OBSOLETE</b>
54	<ul style="list-style-type: none"> <li>ARANDELA 8X16X1 ZINCADA PEDAL FRENO T4008018 (u. 1)</li> </ul>	<b>OBSOLETE</b>
	<ul style="list-style-type: none"> <li>WASHER 8X16X1 0/000.440.0302 (u. 1)</li> </ul>	
55	<ul style="list-style-type: none"> <li>COMPLETE REAR BRAKE. EC-2009 BE65000CT2509 (u. 1)</li> </ul>	
57	<ul style="list-style-type: none"> <li>SEEGER RING D42 BE25618038 (u. 1)</li> </ul>	
58	<ul style="list-style-type: none"> <li>INTERIOR HUB WASHER BE250318056 (u. 1)</li> </ul>	
	<ul style="list-style-type: none"> <li>ARANDELA SUPLEMENTO CUBO RUEDA TRAS.EC09 BE555012509 (u. 1)</li> </ul>	<b>OBSOLETE</b>
59	<ul style="list-style-type: none"> <li>WHEEL BEARING BE250318054 (u. 1)</li> </ul>	
60	<ul style="list-style-type: none"> <li>HOSE HOLDER RACORD 10X125 BC25722006 (u. 1)</li> </ul>	

**Conjunto de cables**

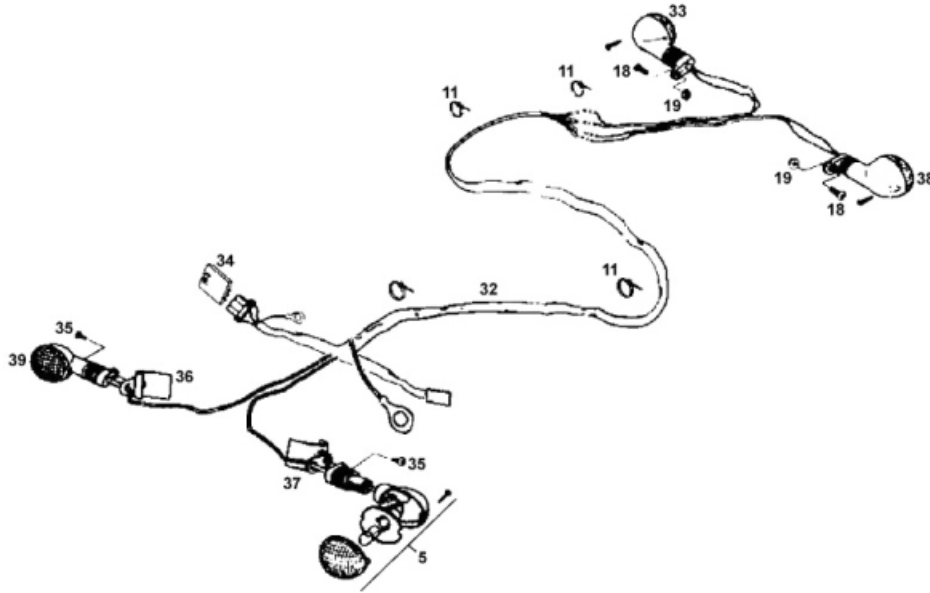


1	<ul style="list-style-type: none"> <li>● CTO. MULTIFUNCION CON SOPORTE MOD.2008-2013 EE600002513 (u. 1)</li> </ul>	OBSOLETE
	<ul style="list-style-type: none"> <li>● MULTIFUNCION EC-2011 ROJO MODELO VECTOR EE600002511 (u. 1)</li> </ul>	OBSOLETE
2	<ul style="list-style-type: none"> <li>● SPEEDO CABLE HOLDER CLIP 2008 0/000.630.9104 (u. 1)</li> </ul>	
	<ul style="list-style-type: none"> <li>● GRAPA SUJ.CABLE CT.KM.2008 EE650202508 (u. 1)</li> </ul>	OBSOLETE
3	<ul style="list-style-type: none"> <li>● COMPLETE HEAD LAMP BEAM UNIT 0/000.600.0260 (u. 1)</li> </ul>	
	<ul style="list-style-type: none"> <li>● HEADLIGHT WITH BULB COMPLETE PT-107 0/000.600.0270 (u. 1)</li> </ul>	
	<ul style="list-style-type: none"> <li>● OPTICA FARO DEL.EC 2011 6000270 EE200002511 (u. 1)</li> </ul>	OBSOLETE
4	<ul style="list-style-type: none"> <li>● HS1 12V3535W HALOGEN BULB L300125 (u. 1)</li> </ul>	
6	<ul style="list-style-type: none"> <li>● ELECTRICAL HARNESS MAIN 2012 EE10000013012 (u. 1)</li> </ul>	
7	<ul style="list-style-type: none"> <li>● EC 2005 CDI PROTECTOR FOAM BE250534109 (u. 1)</li> </ul>	
8	<ul style="list-style-type: none"> <li>● PIPA BUJIA BE25934000 (u. 1)</li> </ul>	OBSOLETE
	<ul style="list-style-type: none"> <li>● SPARK PLUG CAP NGK 0/005.110.9100 (u. 1)</li> </ul>	
9	<ul style="list-style-type: none"> <li>● KOKUSAN IGNITION COIL ME250434006 (u. 1)</li> </ul>	
10	<ul style="list-style-type: none"> <li>● HORN EE204002508 (u. 1)</li> </ul>	

	<ul style="list-style-type: none"> <li>● BRIDA UNEX NYLON 2244 4.8X20 0/000.660.9105 (u. 1)</li> </ul>	<b>OBSOLETE</b>
11	<ul style="list-style-type: none"> <li>● CLAMP 0/000.680.0060 (u. 1)</li> </ul>	
	<ul style="list-style-type: none"> <li>● BRIDA UNEX 2244 4.8X20 BE25634009 (u. 1)</li> </ul>	<b>OBSOLETE</b>
12	<ul style="list-style-type: none"> <li>● CDI KOKUSAN CU7522 EC2006 ME250634007 (u. 1)</li> </ul>	<b>OBSOLETE</b>
13	<ul style="list-style-type: none"> <li>● CDI hold-down band 0/000.360.9101 (u. 1)</li> </ul>	
	<ul style="list-style-type: none"> <li>● GOMA SUJ.CDI BE250034100 (u. 1)</li> </ul>	<b>OBSOLETE</b>
14	<ul style="list-style-type: none"> <li>● SHORT UNEX CLAMP 2.5x98 0/000.660.9106 (u. 1)</li> </ul>	
	<ul style="list-style-type: none"> <li>● BRIDA 2,5x100 T18ROS-PA66HS-BK 0/000.680.0081 (u. 1)</li> </ul>	
	<ul style="list-style-type: none"> <li>● BRIDA nylon CORTA 2221-0 2.5X98 =P380003 BE25634010 (u. 1)</li> </ul>	<b>OBSOLETE</b>
15	<ul style="list-style-type: none"> <li>● 6x16 HEX HEAD WASHER DIN 6921 ZINC.10.9 0/000.460.9119 (u. 1)</li> </ul>	
	<ul style="list-style-type: none"> <li>● TORN.ESP.6X16 10.9 ZINC. T0206016 (u. 1)</li> </ul>	<b>OBSOLETE</b>
16	<ul style="list-style-type: none"> <li>● SPARK PLUG DENSO W24ESRU 0/005.110.9101 (u. 1)</li> </ul>	
	<ul style="list-style-type: none"> <li>● BUJIA W24ESRU ME25934000 (u. 1)</li> </ul>	<b>OBSOLETE</b>
17	<ul style="list-style-type: none"> <li>● BOBILLA LUZ POSICION L300126 (u. 1)</li> </ul>	
20	<ul style="list-style-type: none"> <li>● Voltage Regulator Ducati L300031 (u. 1)</li> </ul>	
21	<ul style="list-style-type: none"> <li>● CLAMP 0/000.680.0060 (u. 1)</li> </ul>	
	<ul style="list-style-type: none"> <li>● NYLON CLAMP 3,6X140 0/000.680.9100 (u. 1)</li> </ul>	
	<ul style="list-style-type: none"> <li>● BRIDA NYLON 3.6x140 LATIG.EMBR. BE250022031 (u. 1)</li> </ul>	<b>OBSOLETE</b>
22	<ul style="list-style-type: none"> <li>● TUERCA NUT 956 M-6 HRC 40/48 T2606000 (u. 1)</li> </ul>	<b>OBSOLETE</b>
	<ul style="list-style-type: none"> <li>● NUT 6MM 0/000.340.9120 (u. 1)</li> </ul>	
23	<ul style="list-style-type: none"> <li>● TORN.ULS C/ARAND 6x16 ZN T0556016 (u. 1)</li> </ul>	<b>OBSOLETE</b>
24	<ul style="list-style-type: none"> <li>● TT MULTIFUNCTION HOSE 0/001.010.9100 (u. 1)</li> </ul>	
	<ul style="list-style-type: none"> <li>● SENSOR CUENTA KM ENDURO BE250634050 (u. 1)</li> </ul>	<b>OBSOLETE</b>
25	<ul style="list-style-type: none"> <li>● SOP.CDI EC 2005 BE250534107 (u. 1)</li> </ul>	<b>OBSOLETE</b>
26	<ul style="list-style-type: none"> <li>● ULS 6X12 T0506012 (u. 1)</li> </ul>	<b>OBSOLETE</b>
27	<ul style="list-style-type: none"> <li>● MULTIFUNCTION SUPPORT BFS450634045 (u. 1)</li> </ul>	
28	<ul style="list-style-type: none"> <li>● WASHER RUBBER MULTIFUNCION ENDURO 2008 NBR EE650102508 (u. 1)</li> </ul>	
29	<ul style="list-style-type: none"> <li>● ULS 4X10 BOLT T0554010N (u. 1)</li> </ul>	

30	<ul style="list-style-type: none"><li>● LIGHT SWITCH EC 2012 EE10000043012 (u. 1)</li></ul>	
31	<ul style="list-style-type: none"><li>● 4X12X1 WASHER PLANE ZN AG CR3 0/000.440.9119 (u. 1)</li><li>● ARANDELA PLANA 4X12X1 (DIN 9021) T4004012 (u. 1)</li></ul>	<b>OBSOLETE</b>
40	<ul style="list-style-type: none"><li>● CABLE SUPPORT DOUBLE (MOSS 460326) EE10000083012 (u. 1)</li></ul>	
41	<ul style="list-style-type: none"><li>● MUELLE SUJ.INST.ELEC.A SUBCHASIS EC 2012 EE10000093012 (u. 1)</li></ul>	<b>OBSOLETE</b>

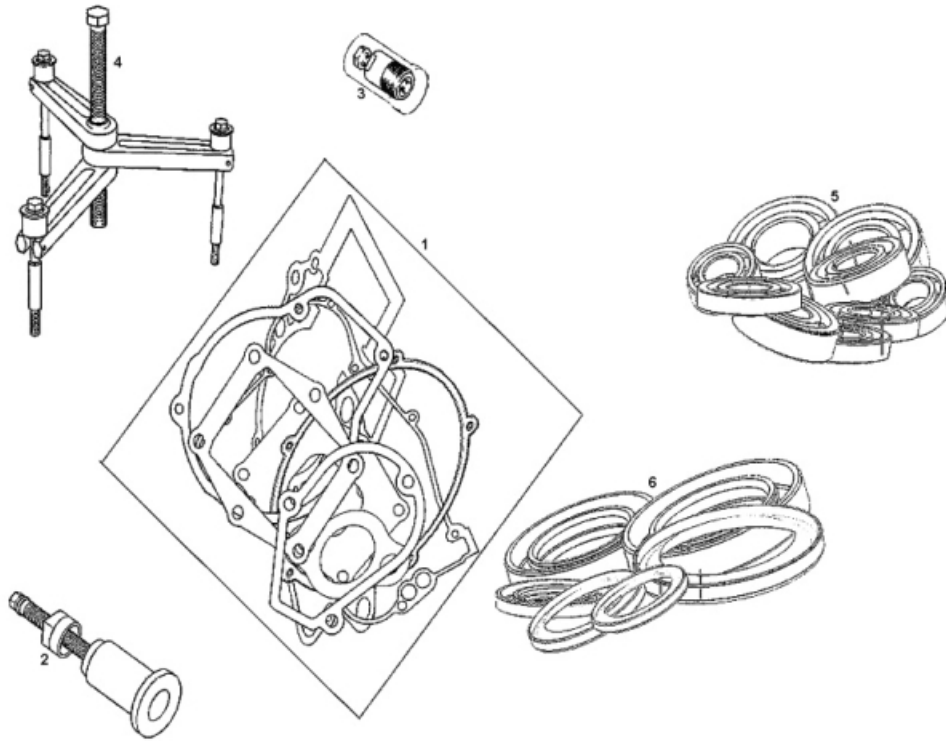
**Intermitentes**



5	<ul style="list-style-type: none"> <li>LEFT FRONT INDICATOR 0/000.150.9101 (u. 1)</li> </ul>	
	<ul style="list-style-type: none"> <li>INTERMITENTE IZQ.DEL.2005 BE250634019 (u. 1)</li> </ul>	<b>OBSOLETE</b>
11	<ul style="list-style-type: none"> <li>CLAMP 0/000.680.0060 (u. 1)</li> </ul>	
	<ul style="list-style-type: none"> <li>BRIDA UNEX NYLON 2244 4.8X20 0/000.660.9105 (u. 1)</li> </ul>	<b>OBSOLETE</b>
	<ul style="list-style-type: none"> <li>BRIDA UNEX 2244 4.8X20 BE25634009 (u. 1)</li> </ul>	<b>OBSOLETE</b>
18	<ul style="list-style-type: none"> <li>TORN.ULS 6x16 PL.PRIM,GUAR,FIL NG. T0506016N (u. 1)</li> </ul>	<b>OBSOLETE</b>
	<ul style="list-style-type: none"> <li>6X16 ULS SCREW ISO 7380-1 NEGRO 12.9 0/000.460.9156 (u. 1)</li> </ul>	
19	<ul style="list-style-type: none"> <li>TUERCA+ARAN.M-6 (DIN 6923) ESTR. T2206000 (u. 1)</li> </ul>	<b>OBSOLETE</b>
	<ul style="list-style-type: none"> <li>NUT WASHER 6mm DIN 6923 ZINC 8 0/000.340.9116 (u. 1)</li> </ul>	
32	<ul style="list-style-type: none"> <li>TURN SIGNAL WIRING HARNESS (EUROPE) EE10000023012 (u. 1)</li> </ul>	<b>OBSOLETE</b>
33	<ul style="list-style-type: none"> <li>INTERMITENTE DCH.TRAS.2005 BE250634021 (u. 1)</li> </ul>	<b>OBSOLETE</b>
	<ul style="list-style-type: none"> <li>INTERMITENTE DCH.TRAS.2005 BE250634021/2 (u. 1)</li> </ul>	<b>OBSOLETE</b>
	<ul style="list-style-type: none"> <li>RIGHT REAR INDICATOR 0/000.150.9102 (u. 1)</li> </ul>	
34	<ul style="list-style-type: none"> <li>INTERMITENT BOX EE201752509 (u. 1)</li> </ul>	<b>OBSOLETE</b>

35	<ul style="list-style-type: none"> <li>● TORN.PHILIPS CHAPA 6.3x16 ZINCADO.NEGRO. T0706316 (u. 1)</li> </ul>	<b>OBSOLETE</b>
36	<ul style="list-style-type: none"> <li>● Supt, Turn Signal Rt. Frt. PP02 BE250134017 (u. 1)</li> </ul>	
37	<ul style="list-style-type: none"> <li>● Supt, Turn Signal Lt. Frt. PP02 BE250134020 (u. 1)</li> </ul>	
38	<ul style="list-style-type: none"> <li>● LEFT REAR INDICATOR 0/000.150.9103 (u. 1)</li> </ul>	
	<ul style="list-style-type: none"> <li>● INTERMITENTE IZQ.TRAS.2005 BE250634022/2 (u. 1)</li> </ul>	<b>OBSOLETE</b>
	<ul style="list-style-type: none"> <li>● INTERMITENTE IZQ.TRAS.2005 BE250634022 (u. 1)</li> </ul>	<b>OBSOLETE</b>
39	<ul style="list-style-type: none"> <li>● INTERMITENTE DCH.O.DEL.2005 BE250634018 (u. 1)</li> </ul>	<b>OBSOLETE</b>
	<ul style="list-style-type: none"> <li>● RIGHT FRONT INDICATOR 0/000.150.9100 (u. 1)</li> </ul>	

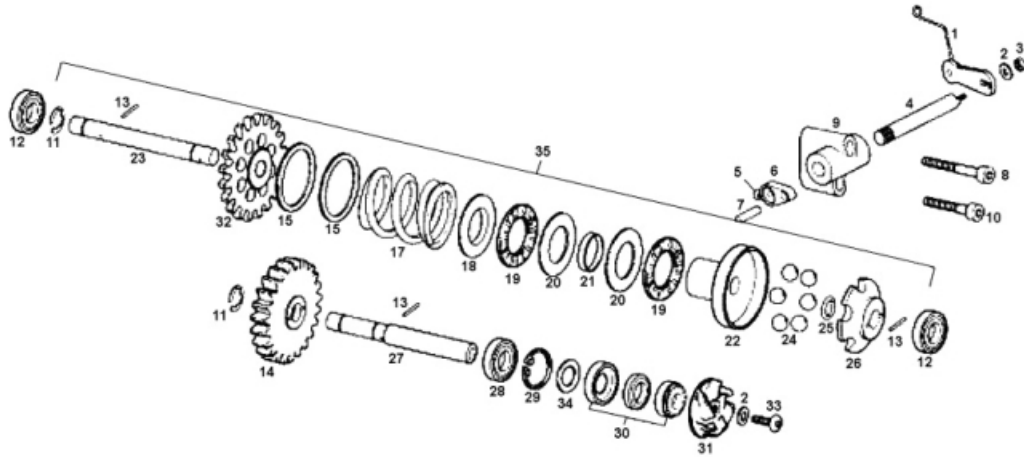
**Herramientas de asistencia**



1	<ul style="list-style-type: none"> <li>● GASKET KIT ME250544100 (u. 1)</li> </ul>	
2	<ul style="list-style-type: none"> <li>● EXTRACTOR COJINETE CIGUEÑAL ME25950000 (u. 1)</li> </ul>	OBSOLETE
	<ul style="list-style-type: none"> <li>● EXTRACTOR VOL.MAG.KUKUSAN 5238 M04015001 (u. 1)</li> </ul>	OBSOLETE
3	<ul style="list-style-type: none"> <li>● Flywheel Puller Pro MT280234045 (u. 1)</li> <li>● KOKUSAN FLYWHEEL EXTRACTOR ME25634045 (u. 1)</li> </ul>	OBSOLETE
4	<ul style="list-style-type: none"> <li>● EXTRACTOR CARTER ME25950005 (u. 1)</li> </ul>	OBSOLETE
5	<ul style="list-style-type: none"> <li>● KIT BRG.S EC-250/300 2010 ME905002510 (u. 1)</li> </ul>	
6	<ul style="list-style-type: none"> <li>● SET SEAL EC 250-300 ME906002510 (u. 1)</li> </ul>	



# EC 250-300 RACING 2012- Engine

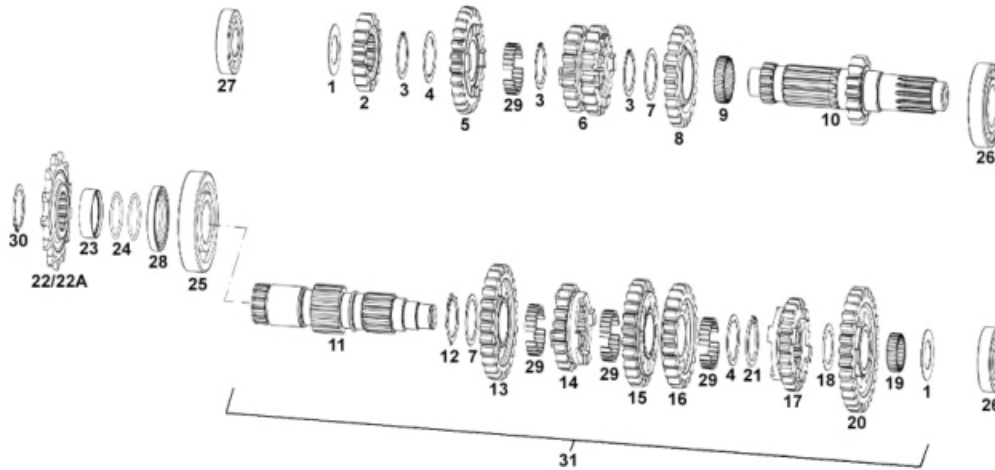
**WATER PUMP**


1	<ul style="list-style-type: none"> <li>● CTO. ARM AND ROD, ENDURO 300 2010 ME73000CT3010 (u. 1)</li> </ul>	<b>OBSOLETE</b>
2	<ul style="list-style-type: none"> <li>● WASHER 5x12x1.5 DIN 125A ZINC 0/000.440.9121 (u. 1)</li> <li>● ARANDELA 5X12X1.5 T4005012 (u. 1)</li> </ul>	<b>OBSOLETE</b>
3	<ul style="list-style-type: none"> <li>● TUERCA AUTOBL.DIN-985 M-5 ZN BAJA T2105000 (u. 1)</li> <li>● SELFLOCKING NUT M5 DIN-985 ZINC 8 0/000.340.9112 (u. 1)</li> </ul>	<b>OBSOLETE</b>
4	<ul style="list-style-type: none"> <li>● EJE PALANCA CENTRIFUGO ME25616011 (u. 1)</li> </ul>	<b>OBSOLETE</b>
5	<ul style="list-style-type: none"> <li>● ALLEN 5 X 6 (12.9) T0305006 (u. 1)</li> </ul>	<b>OBSOLETE</b>
6	<ul style="list-style-type: none"> <li>● PALANCA SALIDA CENTRIFUGO COMPL. ME25616009CT (u. 1)</li> <li>● PALANCA SALIDA CENTRIFUGO ME25616009 (u. 1)</li> </ul>	<b>OBSOLETE</b>
7	<ul style="list-style-type: none"> <li>● PALANCA SALIDA CENTRIFUGO COMPL. ME25616009CT (u. 1)</li> <li>● AGUJA 4X15.8 VALV.ESCAPE ME25616037 (u. 1)</li> </ul>	<b>OBSOLETE</b>
8	<ul style="list-style-type: none"> <li>● ALLEN 6X50 DIN 912 12.9 COMPLETAMENTE ROSCADO GEOMET T0306050 (u. 1)</li> </ul>	<b>OBSOLETE</b>
9	<ul style="list-style-type: none"> <li>● SOP.EJE MANDO VALV.TT-250 ME25616025 (u. 1)</li> </ul>	<b>OBSOLETE</b>
10	<ul style="list-style-type: none"> <li>● ALLEN 6X35 12.9 T0306035 (u. 1)</li> </ul>	<b>OBSOLETE</b>

11	<ul style="list-style-type: none"> <li>SEEGER DIN 6799 E7 0/000.300.9103 (u. 1)</li> </ul>	
	<ul style="list-style-type: none"> <li>SEEGER DIN 6799 E-7 ME25616024 (u. 1)</li> </ul>	OBSOLETE
12	<ul style="list-style-type: none"> <li>RODA.EJE CENTRI.Y BOMBA 608.Z.C3 ME25616032 (u. 1)</li> </ul>	OBSOLETE
	<ul style="list-style-type: none"> <li>508Z BEARING 0/000.960.9108 (u. 1)</li> </ul>	
13	<ul style="list-style-type: none"> <li>IMPELLER WATER PUMP NEEDLE 3X14 0/000.280.9101 (u. 1)</li> </ul>	
	<ul style="list-style-type: none"> <li>RODILLO 3X14 BOMBA AGUA CENTRI. ME25616028 (u. 1)</li> </ul>	OBSOLETE
14	<ul style="list-style-type: none"> <li>PIÑON BOMBA AGUA Y CENTRI. ME25610005 (u. 1)</li> </ul>	OBSOLETE
	<ul style="list-style-type: none"> <li>WATER PUMP PINION 0/005.400.9111 (u. 1)</li> </ul>	
15	<ul style="list-style-type: none"> <li>WASHER EXHAUST VALVE 315X225X02 ME25616076 (u. 1)</li> </ul>	
17	<ul style="list-style-type: none"> <li>EXHAUST VALVE SPRING 99 ME25916026 (u. 1)</li> </ul>	
18	<ul style="list-style-type: none"> <li>ARANDELA CENTRAJE MUELLE CENTRIFUGO ME25616029 (u. 1)</li> </ul>	OBSOLETE
19	<ul style="list-style-type: none"> <li>JAULA AGUJA VALV.ESCAPE AXK 1528 ME25632046 (u. 1)</li> </ul>	OBSOLETE
	<ul style="list-style-type: none"> <li>NEEDLES BEARING AXK 1528 0/000.960.9109 (u. 1)</li> </ul>	
20	<ul style="list-style-type: none"> <li>BEARING WASHER 0/000.440.9107 (u. 1)</li> </ul>	
	<ul style="list-style-type: none"> <li>PLACA AGUJA ROD.BOLET Y VAL.ESCAPE AS 15 ME25632016 (u. 1)</li> </ul>	OBSOLETE
21	<ul style="list-style-type: none"> <li>SPACER ME25616008 (u. 1)</li> </ul>	
22	<ul style="list-style-type: none"> <li>IMPELLER CAP ME25616007 (u. 1)</li> </ul>	
23	<ul style="list-style-type: none"> <li>IMPELLER AXLE ME25616005 (u. 1)</li> </ul>	
24	<ul style="list-style-type: none"> <li>8mm Clutch Ball Bearing 50cc ME25616033 (u. 1)</li> </ul>	
25	<ul style="list-style-type: none"> <li>6X2 O-RING ME25616045 (u. 1)</li> </ul>	
26	<ul style="list-style-type: none"> <li>6BALL RETAINER ME25916006 (u. 1)</li> </ul>	
27	<ul style="list-style-type: none"> <li>WATER PUMP PINION AXIS 0/000.190.9104 (u. 1)</li> </ul>	
	<ul style="list-style-type: none"> <li>EJE PIÑON BOMBA AGUA ME25610006 (u. 1)</li> </ul>	OBSOLETE
28	<ul style="list-style-type: none"> <li>RODAM.BOMBA AGUA 6000C3Z =M03313001 ME25610010 (u. 1)</li> </ul>	OBSOLETE
	<ul style="list-style-type: none"> <li>BEARING 6000 C3Z=M03313001 0/000.960.9107 (u. 1)</li> </ul>	
29	<ul style="list-style-type: none"> <li>WATER PUMP SEEGER D.26 0/000.300.9106 (u. 1)</li> </ul>	
	<ul style="list-style-type: none"> <li>SEEGER INT.26 B.AGUA=M03314012 DIN 472-I26 ME25636065 (u. 1)</li> </ul>	OBSOLETE

30	<ul style="list-style-type: none"> <li>● WATERPUMP SEAL 0/000.890.9104 (u. 1)</li> </ul>	
	<ul style="list-style-type: none"> <li>● RETEN BOMBA AGUA (ESTOPADA) 1510 CA/CE 1 ME25610011 (u. 1)</li> </ul>	<b>OBSOLETE</b>
31	<ul style="list-style-type: none"> <li>● TURBINA BOMBA AGUA 2014 ME56000GG-CAB-1 (u. 1)</li> </ul>	<b>OBSOLETE</b>
	<ul style="list-style-type: none"> <li>● TURBINA BOMBA AGUA ME25610007 (u. 1)</li> </ul>	<b>OBSOLETE</b>
	<ul style="list-style-type: none"> <li>● WATER PUMP IMPELLER 0/005.220.9100 (u. 1)</li> </ul>	
32	<ul style="list-style-type: none"> <li>● IMPELLER SET ME250416005CT (u. 1)</li> </ul>	
	<ul style="list-style-type: none"> <li>● PIÑÓN CENTRIFUGO 2012 ME580012511 (u. 1)</li> </ul>	<b>OBSOLETE</b>
33	<ul style="list-style-type: none"> <li>● TORNILLO ULS 6X16 ISO 7380-1 ZINC 12.9 T0506016 (u. 1)</li> </ul>	<b>OBSOLETE</b>
34	<ul style="list-style-type: none"> <li>● SECONDARY WASHER WATERPUMP 25.8x17.5x0.5 0/000.440.9103 (u. 1)</li> </ul>	
	<ul style="list-style-type: none"> <li>● ARANDELA 25.8x17.5x0.5 BOMBA AGUA M03625000 (u. 1)</li> </ul>	<b>OBSOLETE</b>
35	<ul style="list-style-type: none"> <li>● IMPELLER SET ME250416005CT (u. 1)</li> </ul>	

**Cambio**

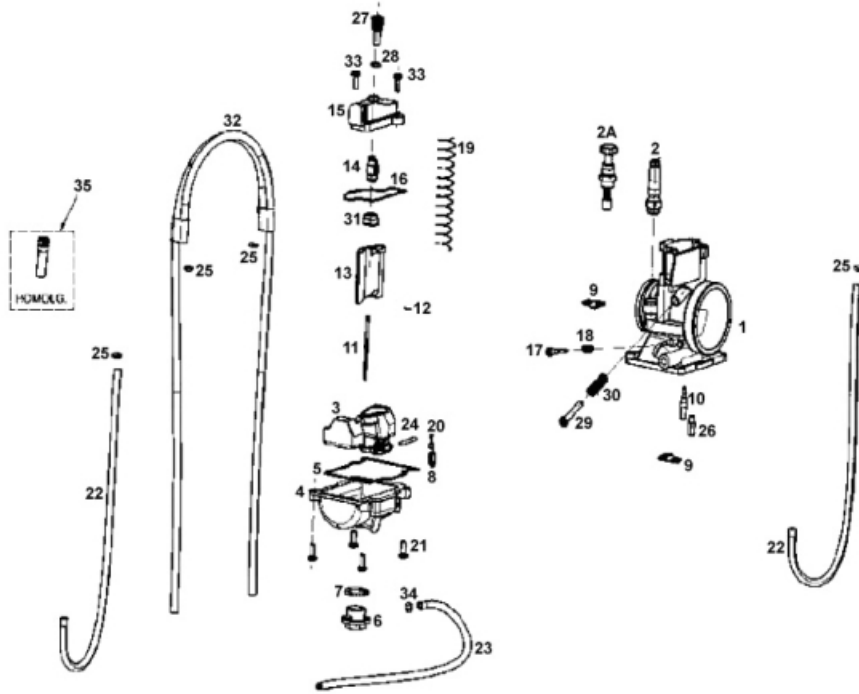


1	<ul style="list-style-type: none"> <li>SHIFT WASHER 18X315X07 ME25636014 (u. 1)</li> </ul>	
2	<ul style="list-style-type: none"> <li>PRIMARY II PINION ME25636071 (u. 1)</li> </ul>	
3	<ul style="list-style-type: none"> <li>CIRCLIP D.25 DIN 471 0/000.300.9107 (u. 1)</li> </ul>	
	<ul style="list-style-type: none"> <li>CIRCLIP D.25 DIN 471 ME25936084 (u. 1)</li> </ul>	<b>OBSOLETE</b>
4	<ul style="list-style-type: none"> <li>315X(25X22)X1 GROOVING WASHER ME25636091 (u. 1)</li> </ul>	
5	<ul style="list-style-type: none"> <li>PRIMARY VI PINION ME25636074 (u. 1)</li> </ul>	
6	<ul style="list-style-type: none"> <li>PRIMARY III AND IV PINION ME25636072 (u. 1)</li> </ul>	
7	<ul style="list-style-type: none"> <li>252X315X1 GEAR WASHER ME25636017 (u. 1)</li> </ul>	
8	<ul style="list-style-type: none"> <li>PRIMARY V PINION ME25636073 (u. 1)</li> </ul>	
9	<ul style="list-style-type: none"> <li>KICKSTART GEAR BEARING K25-29-10 0/000.960.9104 (u. 1)</li> </ul>	
	<ul style="list-style-type: none"> <li>COJINETE AGUJAS K25-29-10 M02616000 (u. 1)</li> </ul>	<b>OBSOLETE</b>
10	<ul style="list-style-type: none"> <li>AXLE PRIMARY EC 250-2002 ME250236070 (u. 1)</li> </ul>	
11	<ul style="list-style-type: none"> <li>SECONDARY AXIS ME410002508 (u. 1)</li> </ul>	
12	<ul style="list-style-type: none"> <li>DIN 983 CIRCLIP ME25636095 (u. 1)</li> </ul>	

13	<ul style="list-style-type: none"> <li>PINION SECONDARY II 7-26 ME250136077 (u. 1)</li> </ul>	
14	<ul style="list-style-type: none"> <li>SECONDARY VI PINION ME250136081 (u. 1)</li> </ul>	
15	<ul style="list-style-type: none"> <li>SECONDARY III PINION ME25636078 (u. 1)</li> </ul>	
16	<ul style="list-style-type: none"> <li>SECONDARY IV PINION ME25636079 (u. 1)</li> </ul>	
17	<ul style="list-style-type: none"> <li>SECONDARY V PINION ME25636080 (u. 1)</li> </ul>	
18	<ul style="list-style-type: none"> <li>208X29X1 GEAR WASHER ME25636016 (u. 1)</li> </ul>	
19	<ul style="list-style-type: none"> <li>K20X24X10 NEEDLES BEARING 0/000.960.9114 (u. 1)</li> </ul>	
	<ul style="list-style-type: none"> <li>RODA.AGUJ.K20X24X10 ME25636059 (u. 1)</li> </ul>	<b>OBSOLETE</b>
20	<ul style="list-style-type: none"> <li>SECONDARY I PINION ME25636076 (u. 1)</li> </ul>	
21	<ul style="list-style-type: none"> <li>CIRCLIP D.25 DIN 471 REBAIXAD D.2 SE03025200009 (u. 1)</li> </ul>	
22	<ul style="list-style-type: none"> <li>Z13 EXIT PINION 0/005.400.9112 (u. 1)</li> </ul>	
	<ul style="list-style-type: none"> <li>PIÑON SALIDA TG421X13T ME25636025 (u. 1)</li> </ul>	<b>OBSOLETE</b>
22_	<ul style="list-style-type: none"> <li>PIÑON SALIDA TG421X13T ME25636025 (u. 1)</li> </ul>	<b>OBSOLETE</b>
	<ul style="list-style-type: none"> <li>OUTER SPROCKET Z12 0/005.400.9113 (u. 1)</li> </ul>	
	<ul style="list-style-type: none"> <li>PIÑON SALIDA TG421X12T MF25836025 (u. 1)</li> </ul>	<b>OBSOLETE</b>
	<ul style="list-style-type: none"> <li>Z13 EXIT PINION 0/005.400.9112 (u. 1)</li> </ul>	
23	<ul style="list-style-type: none"> <li>DOLLA RETEN SALIDA CAMBIO ME25636046 (u. 1)</li> </ul>	<b>OBSOLETE</b>
	<ul style="list-style-type: none"> <li>SEAL BUSHING 0/000.260.9100 (u. 1)</li> </ul>	
24	<ul style="list-style-type: none"> <li>SHAFT O'RING 25x2 0/000.490.9107 (u. 1)</li> </ul>	
	<ul style="list-style-type: none"> <li>TORICA 25 X 2 NBR PIÑ SAL. ME25632025 (u. 1)</li> </ul>	<b>OBSOLETE</b>
25	<ul style="list-style-type: none"> <li>RODAM.CAMBIO 6305 C3 ME25636058 (u. 1)</li> </ul>	<b>OBSOLETE</b>
	<ul style="list-style-type: none"> <li>SHIFT BEARING 6305 C3 0/000.960.9113 (u. 1)</li> </ul>	
26	<ul style="list-style-type: none"> <li>RODAM.CAMBIO 6203C3 ME25636057 (u. 1)</li> </ul>	<b>OBSOLETE</b>
	<ul style="list-style-type: none"> <li>SHIFT BEARING 6203C3 0/000.960.9112 (u. 1)</li> </ul>	
27	<ul style="list-style-type: none"> <li>RODAM.CAMBIO 6205-RSH/C3 ME250136056 (u. 1)</li> </ul>	<b>OBSOLETE</b>
	<ul style="list-style-type: none"> <li>SHIFT BEARING 6205ZC3E 0/000.960.9106 (u. 1)</li> </ul>	
28	<ul style="list-style-type: none"> <li>COUNTERSHAFT SEAL 30x40x7 0/000.890.9106 (u. 1)</li> </ul>	
	<ul style="list-style-type: none"> <li>RETEN 30X40X7 DOBLE LABIO.PIÑ.SAL. ME25636024 (u. 1)</li> </ul>	<b>OBSOLETE</b>

29	<ul style="list-style-type: none"> <li>● KD22X25X98 NEEDLES BEARING 0/005.150.9101 (u. 1)</li> </ul>	
	<ul style="list-style-type: none"> <li>● JAULA AGUJAS KD22x25x9.8 GRUPO CAMBIO ME250236102 (u. 1)</li> </ul>	<b>OBSOLETE</b>
30	<ul style="list-style-type: none"> <li>● CIRCLIP D.25 DIN 471 0/000.300.9107 (u. 1)</li> </ul>	
	<ul style="list-style-type: none"> <li>● CIRCLIP D.25 DIN 471 ME25936084 (u. 1)</li> </ul>	<b>OBSOLETE</b>
31	<ul style="list-style-type: none"> <li>● CTO.CAMBIO COMP.EC-2008 ME40000CT2508 (u. 1)</li> </ul>	<b>OBSOLETE</b>
	<ul style="list-style-type: none"> <li>● CTO. CAMBIO MARCHAS ME40000CT-CSK-1 (u. 1)</li> </ul>	<b>OBSOLETE</b>
	<ul style="list-style-type: none"> <li>● SHIFT GEAR SET 0/005.400.9107 (u. 1)</li> </ul>	

**Carburador**



1	<ul style="list-style-type: none"> <li>CARB.KEIHIN PWKS DIAM.38 SIN TPS EC-2012 0/005.155.9104 (u. 1)</li> <li>CARB.KEIHIN PWKS DIAM.38 SIN TPS EC-2012 BE780003012 (u. 1)</li> </ul>	<b>OBSOLETE</b>
2	<ul style="list-style-type: none"> <li>CHOKE KNOB ME25000173012 (u. 1)</li> </ul>	
2_	<ul style="list-style-type: none"> <li>CHOKE KNOB ME25000173012 (u. 1)</li> <li>COLD STARTER KNOB SET ME25690011 (u. 1)</li> </ul>	
3	<ul style="list-style-type: none"> <li>BOYA FLOATER 1052-856-2101 ME25000183012 (u. 1)</li> </ul>	
4	<ul style="list-style-type: none"> <li>CUBETA FLOATER 1050-898-2102 ME25000193012 (u. 1)</li> </ul>	
5	<ul style="list-style-type: none"> <li>SEAL CUBETA FLOATER 1051-KZ40-0001 ME25000203012 (u. 1)</li> </ul>	
6	<ul style="list-style-type: none"> <li>FLOAT BODY DRAIN CAP ME25690015 (u. 1)</li> </ul>	
7	<ul style="list-style-type: none"> <li>TORICA TAP.CUBETA 16173-001-0040 ME25690016 (u. 1)</li> </ul>	<b>OBSOLETE</b>
8	<ul style="list-style-type: none"> <li>AGUJA FLOTADOR 1062-814-2103 ME25000213012 (u. 1)</li> </ul>	
9	<ul style="list-style-type: none"> <li>SUJECCLiN TUBO RESPIRADERO 1531-KZ4H-690 ME25000223012 (u. 1)</li> </ul>	<b>OBSOLETE</b>

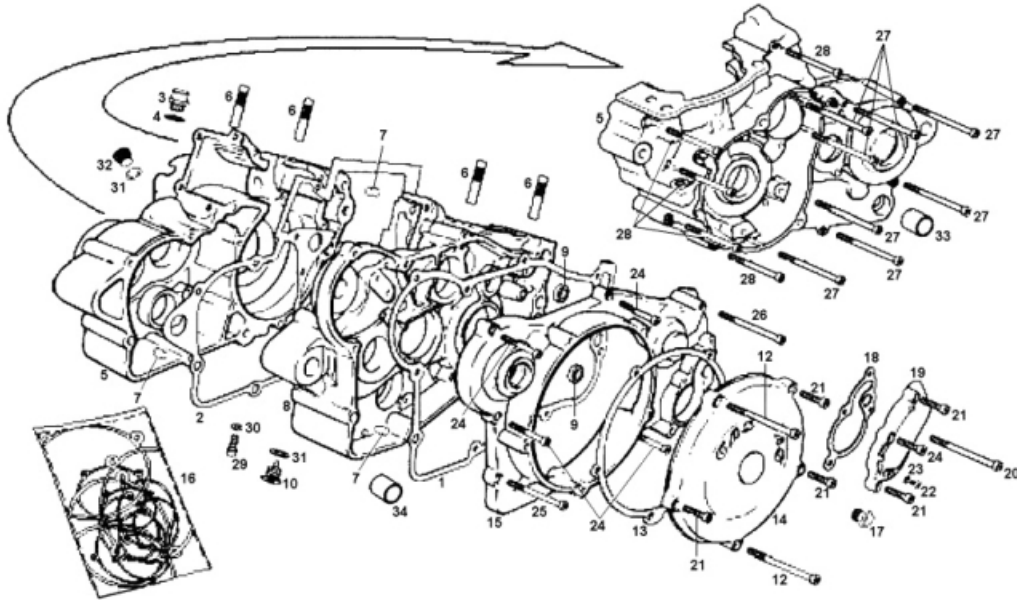


10	<ul style="list-style-type: none"> <li>SLOW JET #42 (N424-21042) 0/005.991.9105 (u. 1)</li> </ul>	
	<ul style="list-style-type: none"> <li>SLOW JET EC300 0/005.991.9100 (u. 1)</li> </ul>	
	<ul style="list-style-type: none"> <li>CHICLE RALENTI 42 N424-21042 ME25690042 (u. 1)</li> </ul>	<b>OBSOLETE</b>
	<ul style="list-style-type: none"> <li>CHICLE RALENTI 35 (N424-21035) ME25690035 (u. 1)</li> </ul>	<b>OBSOLETE</b>
11	<ul style="list-style-type: none"> <li>NEEDLE N1EE ME250290427 (u. 1)</li> </ul>	
	<ul style="list-style-type: none"> <li>NEEDLE N1EG ME250290428 (u. 1)</li> </ul>	
	<ul style="list-style-type: none"> <li>KEIHIN N1EF NEEDLE 0/005.150.9100 (u. 1)</li> </ul>	
	<ul style="list-style-type: none"> <li>AGUJA KEIHIN N1EF ME250190429 (u. 1)</li> </ul>	<b>OBSOLETE</b>
12	<ul style="list-style-type: none"> <li>NEEDLE CLIP ME25690021 (u. 1)</li> </ul>	
13	<ul style="list-style-type: none"> <li>VALVE N°7 N502-66F00 0/005.150.9103 (u. 1)</li> </ul>	
	<ul style="list-style-type: none"> <li>COMPUERTA N°7 N502-66F00 ME25000233012 (u. 1)</li> </ul>	<b>OBSOLETE</b>
14	<ul style="list-style-type: none"> <li>NEEDLE HOLDER ME25690023 (u. 1)</li> </ul>	
15	<ul style="list-style-type: none"> <li>TAP COMP. 1030-A92A-0000 ME25000243012 (u. 1)</li> </ul>	
16	<ul style="list-style-type: none"> <li>GASKET O'RING TAP. COMPU. 1202-882-6000 ME25000253012 (u. 1)</li> </ul>	
17	<ul style="list-style-type: none"> <li>VISS. REGULATION ME25000263012 (u. 1)</li> </ul>	
18	<ul style="list-style-type: none"> <li>MUELLE TORN.REGUL.AIRE 1300-416H-9900 ME25000273012 (u. 1)</li> </ul>	
19	<ul style="list-style-type: none"> <li>SPRING VALVE 1290-A53-2000 ME25000283012 (u. 1)</li> </ul>	
20	<ul style="list-style-type: none"> <li>FLOAT CLIP ME25690027 (u. 1)</li> </ul>	
21	<ul style="list-style-type: none"> <li>TORN.CUBETA 93500-04014-1H ME25000293012 (u. 1)</li> </ul>	
22	<ul style="list-style-type: none"> <li>TUBO RESPIRADERO 0803-868-0000 ME25000303012 (u. 1)</li> </ul>	
23	<ul style="list-style-type: none"> <li>TUBO RESPIRADERO-2 0803-869-0000 ME25000313012 (u. 1)</li> </ul>	
24	<ul style="list-style-type: none"> <li>FLOAT AXLE ME25690033 (u. 1)</li> </ul>	
25	<ul style="list-style-type: none"> <li>CLIP ME25690034 (u. 1)</li> </ul>	
26	<ul style="list-style-type: none"> <li>CHICLE ALTA 175 (99101-357-1750) ME25690175 (u. 1)</li> </ul>	<b>OBSOLETE</b>
	<ul style="list-style-type: none"> <li>MAIN JET #175 (99101-357-1750) 0/005.991.9104 (u. 1)</li> </ul>	
27	<ul style="list-style-type: none"> <li>TENSOR CABLE W9581-59250 ME25000323012 (u. 1)</li> </ul>	
28	<ul style="list-style-type: none"> <li>NUT TENSOR CABLE 1793-130H-9900 ME25000333012 (u. 1)</li> </ul>	
29	<ul style="list-style-type: none"> <li>SLOW JET ADJUSTING BOLT ME25690038 (u. 1)</li> </ul>	

30	● ADJUSTING BOLT SPRING ME25690039 (u. 1)
31	● CARBURETOR COVER SPRING BUSHING ME25690040 (u. 1)
32	● TUBE VENTILACIÒN 0803-862-0100 ME25000343012 (u. 1)
33	● VISS. TAP COMP. ME25000353012 (u. 1)
34	● CLIP TUBO RESPIRADERO-2 W9535-25000 ME25000363012 (u. 1)
35	● STOP THROTTLE CABLE ME250690010 (u. 1)

**OBSOLETE**

## Carter de motor

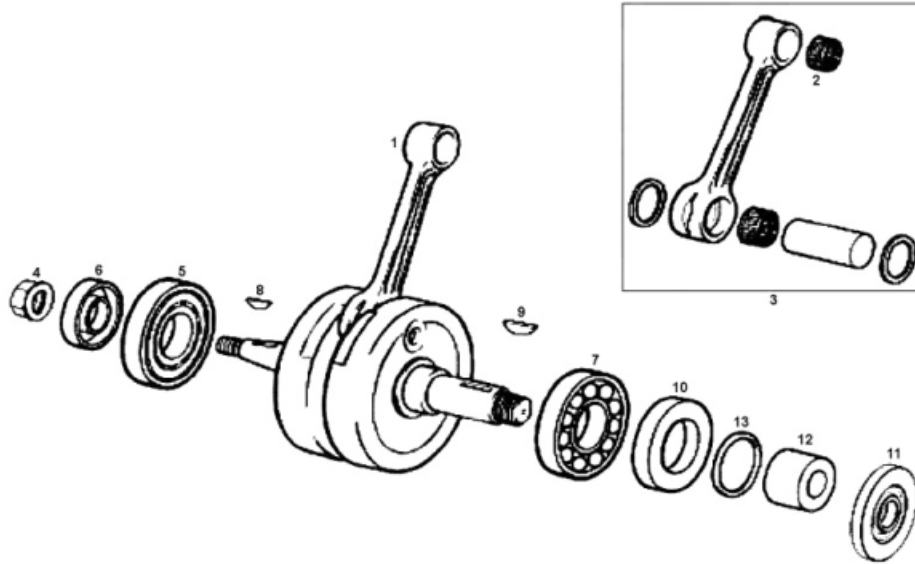


1	<ul style="list-style-type: none"> <li>JUNTA TAPA EMBR.0.5mm ME25644002 (u. 1)</li> </ul>	OBSOLETE
	<ul style="list-style-type: none"> <li>CLUTCH COVER GASKET 0,5mm 0/000.490.9108 (u. 1)</li> </ul>	
2	<ul style="list-style-type: none"> <li>CRANK CASE GASKET (CENTER) ME90000013012 (u. 1)</li> </ul>	
3	<ul style="list-style-type: none"> <li>NIPPLE HOSE JOINT ME25610013 (u. 1)</li> </ul>	
4	<ul style="list-style-type: none"> <li>WASHER FIBER 14X20X2 ME25610014 (u. 1)</li> </ul>	
5	<ul style="list-style-type: none"> <li>CARTER IZQ.EC250-2011 ME110002511 (u. 1)</li> </ul>	OBSOLETE
6	<ul style="list-style-type: none"> <li>ESPARRAGO CIL. ME25616023 (u. 1)</li> </ul>	OBSOLETE
	<ul style="list-style-type: none"> <li>CYLINDER PIN 0/000.280.9100 (u. 1)</li> </ul>	
7	<ul style="list-style-type: none"> <li>CASQ.CENTRADOR CARTER 6X9X14 =ME25610018 M01017000 (u. 1)</li> </ul>	OBSOLETE
	<ul style="list-style-type: none"> <li>CASQ.CENTRADOR CARTER 14X9X6IN =M0101700 ME25610018 (u. 1)</li> </ul>	OBSOLETE
	<ul style="list-style-type: none"> <li>ENGINE CASE LOCATER BUSHING 0/000.480.9119 (u. 1)</li> </ul>	
8	<ul style="list-style-type: none"> <li>CARTER DCH.O.EC250 2011 ME100002511 (u. 1)</li> </ul>	OBSOLETE
9	<ul style="list-style-type: none"> <li>RODA.EJE CENTRI.Y BOMBA 608.Z.C3 ME25616032 (u. 1)</li> </ul>	OBSOLETE
	<ul style="list-style-type: none"> <li>508Z BEARING 0/000.960.9108 (u. 1)</li> </ul>	

10	<ul style="list-style-type: none"> <li>● PLUG EMPTY OIL 0/000.410.9104 (u. 1)</li> </ul>	
	<ul style="list-style-type: none"> <li>● TAPON VACIADO ACEITE+IMAN ME25610017 (u. 1)</li> </ul>	OBSOLETE
12	<ul style="list-style-type: none"> <li>● PLUG EMPTY OIL 0/000.410.9104 (u. 1)</li> </ul>	
	<ul style="list-style-type: none"> <li>● HEAD SCREW 6x75 DELTA PROTEK 12.9 0/000.460.9129 (u. 1)</li> <li>● TORN.ESP.6X75 10.9 DRACOMET T0206075 (u. 1)</li> </ul>	OBSOLETE
13	<ul style="list-style-type: none"> <li>● DISCS COVER GASKET 0.6 FOAMET ME25644003 (u. 1)</li> </ul>	
14	<ul style="list-style-type: none"> <li>● TAPA DISCOS EMBR.EC-2007 ME250732002 (u. 1)</li> </ul>	OBSOLETE
	<ul style="list-style-type: none"> <li>● TAPA DISCOS EMBR.EC 2012 ME15000003011 (u. 1)</li> </ul>	OBSOLETE
	<ul style="list-style-type: none"> <li>● COVER DISC CLUTCH GRAY 0/000.350.9105 (u. 1)</li> <li>● TAPA DISCOS EMBRAGUE GRIS ME22010GG-CLJ-1 (u. 1)</li> </ul>	OBSOLETE
15	<ul style="list-style-type: none"> <li>● CLUTCH COVER, EC-2010 ME650002510 (u. 1)</li> </ul>	
16	<ul style="list-style-type: none"> <li>● GASKET KIT ME250544100 (u. 1)</li> </ul>	
17	<ul style="list-style-type: none"> <li>● VISOR NIVEL ACEITE =M01016110 ME25610015 (u. 1)</li> </ul>	OBSOLETE
18	<ul style="list-style-type: none"> <li>● WATER PUMP COVER GASKET ME25944008 (u. 1)</li> </ul>	
19	<ul style="list-style-type: none"> <li>● WATERPUMP COVER EC-2010 ME570002510 (u. 1)</li> </ul>	
20	<ul style="list-style-type: none"> <li>● TORN.ESP.6X80 8.8 DRACOMET T0206080 (u. 1)</li> </ul>	OBSOLETE
21	<ul style="list-style-type: none"> <li>● TORN.ESP.6X25(10.9) VALONA 11MM T0206025 (u. 1)</li> </ul>	OBSOLETE
	<ul style="list-style-type: none"> <li>● SPECIAL BOLT 6x25 DIN 6921 GEOMET 10.9 0/000.460.9121 (u. 1)</li> </ul>	
22	<ul style="list-style-type: none"> <li>● ULS 6X10 DIR. T0506010 (u. 1)</li> </ul>	OBSOLETE
23	<ul style="list-style-type: none"> <li>● Fiber Washer, 6X10X1.5 0/000.440.9123 (u. 1)</li> </ul>	
	<ul style="list-style-type: none"> <li>● ARANDELA FIBRA 6X10X1.5 T4006010 (u. 1)</li> </ul>	OBSOLETE
24	<ul style="list-style-type: none"> <li>● TORN.ESP.M6x30 T0206030 (u. 1)</li> </ul>	OBSOLETE
	<ul style="list-style-type: none"> <li>● ALLEN BOLT 6x30 DIN 6921 GEOMET 0/000.460.9123 (u. 1)</li> </ul>	
25	<ul style="list-style-type: none"> <li>● SPECIAL BOLT 6X35 DIN 6921 GEOMET 0/000.460.9124 (u. 1)</li> </ul>	
	<ul style="list-style-type: none"> <li>● TORN.ESP.M6X35 T0206035 (u. 1)</li> </ul>	OBSOLETE
26	<ul style="list-style-type: none"> <li>● SPECIAL SCREW 6X55 DIN 6921 DRACOMET 8.8 0/000.460.9127 (u. 1)</li> </ul>	
	<ul style="list-style-type: none"> <li>● TORN.ESP.6X55 8.8 DRACOMET T0206055 (u. 1)</li> </ul>	OBSOLETE
27	<ul style="list-style-type: none"> <li>● Allen Bolt 6x70 T0306070 (u. 1)</li> </ul>	OBSOLETE

28	<ul style="list-style-type: none"> <li>● ALLEN 6X60 12.9 T0306060 (u. 1)</li> </ul>	<b>OBSOLETE</b>
	<ul style="list-style-type: none"> <li>● ALLEN BOLT 6x60 DIN 912 ZINC 12.9 0/000.460.9150 (u. 1)</li> </ul>	
29	<ul style="list-style-type: none"> <li>● ALLEN 8X14 T0308014 (u. 1)</li> </ul>	<b>OBSOLETE</b>
30	<ul style="list-style-type: none"> <li>● COPPER WASHER 8x12x1 DIN 125 A ISO 7089 0/000.440.9128 (u. 1)</li> </ul>	<b>OBSOLETE</b>
	<ul style="list-style-type: none"> <li>● ARANDELA COBRE 8X12X1,5 TORN.VAC.CAM.PRE T4008012 (u. 1)</li> </ul>	
31	<ul style="list-style-type: none"> <li>● ARANDELA TIPO BUJIA 12X18X2 MT280410030 (u. 1)</li> </ul>	<b>OBSOLETE</b>
	<ul style="list-style-type: none"> <li>● SPARK PLUG WASHER 12X18X2 0/000.440.9114 (u. 1)</li> </ul>	
32	<ul style="list-style-type: none"> <li>● TAPON VACIADO ACEITE+IMAN ME25610017 (u. 1)</li> </ul>	<b>OBSOLETE</b>
	<ul style="list-style-type: none"> <li>● OIL PLUG 0/000.460.0021 (u. 1)</li> </ul>	
	<ul style="list-style-type: none"> <li>● OIL PLUG 0/000.460.0021 (u. 1)</li> </ul>	
	<ul style="list-style-type: none"> <li>● TAP.LLENADO ACEITE =ME25610016 M01016002 (u. 1)</li> </ul>	
	<ul style="list-style-type: none"> <li>● PLUG EMPTY OIL 0/000.410.9104 (u. 1)</li> </ul>	
	<ul style="list-style-type: none"> <li>● PLUG EMPTY OIL 0/000.410.9104 (u. 1)</li> </ul>	
33	<ul style="list-style-type: none"> <li>● BRAKE PEDAL BUSHING 12X15. 0/000.480.9117 (u. 1)</li> </ul>	<b>OBSOLETE</b>
	<ul style="list-style-type: none"> <li>● GLACIER PEDAL FRENO 1215PD10 C200101 (u. 1)</li> </ul>	
34	<ul style="list-style-type: none"> <li>● GLACIER PEDAL DAP 1212PD BE25610009 (u. 1)</li> </ul>	<b>OBSOLETE</b>
	<ul style="list-style-type: none"> <li>● BRAKE PEDAL BUSHING 1212PD 0/000.480.9105 (u. 1)</li> </ul>	

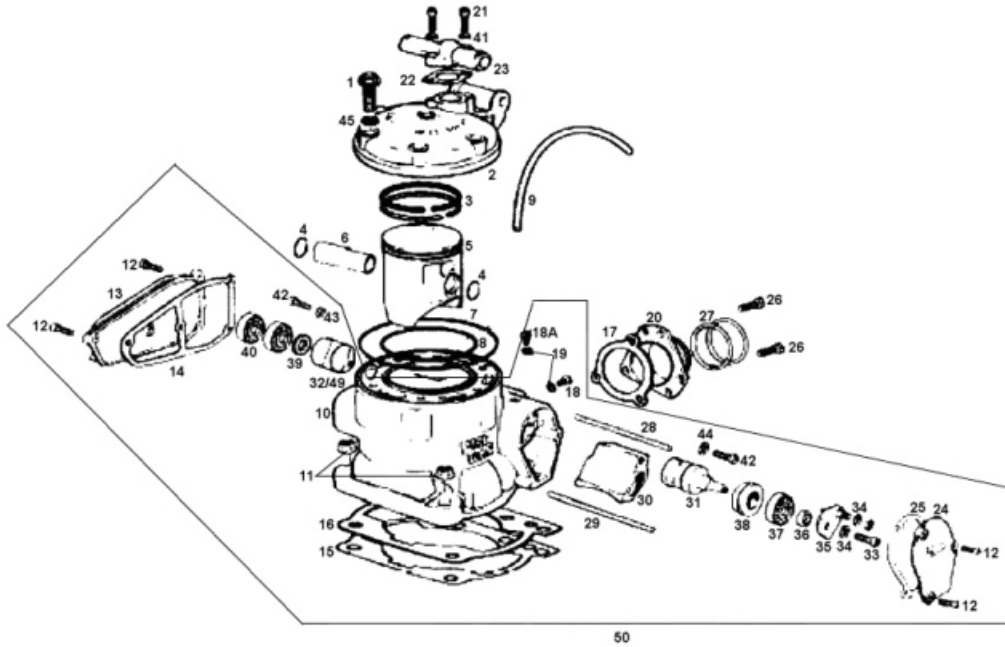
## Cigüeñal



1	<ul style="list-style-type: none"> <li>● CTO.CIGÜEÑAL EC 300-2011</li> <li>● ME30000CT3011 (u. 1)</li> </ul>	<b>OBSOLETE</b>
	<ul style="list-style-type: none"> <li>● CRANKSHAFT ASSEMBLY EC250300</li> <li>● ME250212000 (u. 1)</li> </ul>	<b>OBSOLETE</b>
2	<ul style="list-style-type: none"> <li>● Piston Pin Bearing Pro</li> <li>● ME25616035 (u. 1)</li> </ul>	
3	<ul style="list-style-type: none"> <li>● CONECTING ROD ENDURO 250</li> <li>● ME25612100 (u. 1)</li> </ul>	
4	<ul style="list-style-type: none"> <li>● NUT M12x1.25 .ZINC DIN 6923 ZINC</li> <li>● 0/000.340.9115 (u. 1)</li> <li>● TUERCA VOLANTE EC400 4T M12x1.25 10.9</li> <li>● MFS400134011 (u. 1)</li> </ul>	<b>OBSOLETE</b>
5	<ul style="list-style-type: none"> <li>● ROD.CIGÜEÑAL SKF 6206-2RS1TN9/C4VT223</li> <li>● ME310002508 (u. 1)</li> <li>● BRG. CRANCKSHAFT LEFT 6206- TN9/C4</li> <li>● 0/000.960.9115 (u. 1)</li> </ul>	<b>OBSOLETE</b>
6	<ul style="list-style-type: none"> <li>● LEFT SIDE CRANK SHAFT SEAL</li> <li>● 0/000.890.9103 (u. 1)</li> <li>● RETEN LADO IZ.CIG.TCJ 20x35x6/6.5</li> <li>● ME250112009 (u. 1)</li> </ul>	<b>OBSOLETE</b>
7	<ul style="list-style-type: none"> <li>● BRG. CRANCKSHAFT RIGHT 63/28-HN3/C3 GXN</li> <li>● 0/000.960.9116 (u. 1)</li> <li>● ROD.CIGÜEÑAL SKF 63/28-2RS1 HN3/C3 GXN</li> <li>● ME310012508 (u. 1)</li> </ul>	<b>OBSOLETE</b>
8	<ul style="list-style-type: none"> <li>● GNITION KEY EC200</li> <li>● ME25634016 (u. 1)</li> </ul>	
9	<ul style="list-style-type: none"> <li>● CRANKSHAFT KEY EC250300</li> <li>● ME25612010 (u. 1)</li> </ul>	

10	<ul style="list-style-type: none"><li>● RETEN DCH.O.CIGUEÑAL TB2J 38-52 7 ME250112008 (u. 1)</li></ul>	OBSOLETE
	<ul style="list-style-type: none"><li>● CRANK SEAL TB2J 38-52 7 0/000.890.9102 (u. 1)</li></ul>	
11	<ul style="list-style-type: none"><li>● INERCIA VOLANTE MX25812017 (u. 1)</li></ul>	OBSOLETE
12	<ul style="list-style-type: none"><li>● CRANCSHAFT BUSHING 25X38X17 ME250112014 (u. 1)</li></ul>	OBSOLETE
13	<ul style="list-style-type: none"><li>● TORICA CIG_E-AL 23X2 ME250112011 (u. 1)</li></ul>	

**Cilindro**



1	<ul style="list-style-type: none"> <li>● ALLEN 8X35 CUBREDISCO T0308035 (u. 1)</li> </ul>	<b>OBSELETE</b>
2	<ul style="list-style-type: none"> <li>● CYLINDER HEAD EC300 ME300016000 (u. 1) - 300</li> <li>● CYLINDER HEAD EC250 ME250016000 (u. 1) - 250</li> </ul>	
3	<ul style="list-style-type: none"> <li>● PISTON RINGS SET EC250 ME25616040 (u. 1) - 250</li> <li>● PISTON RINGS SET EC300 ME30916040 (u. 1) - 300</li> </ul>	
4	<ul style="list-style-type: none"> <li>● PISTON PIN CLIPS ME25616126 (u. 1)</li> </ul>	
5	<ul style="list-style-type: none"> <li>● PISTON (A) EC250 ME25616020R (u. 1) - 250</li> <li>● B TYPE PISTON EC250 ME25616121R (u. 1) - 250</li> </ul>	
	<ul style="list-style-type: none"> <li>● PISTON (A) EC300 ME300416020 (u. 1) - 300</li> <li>● B TYPE PISTON EC300 ME300416121 (u. 1) - 300</li> </ul>	
	<ul style="list-style-type: none"> <li>● C TYPE PISTON EC250 ME25616122R (u. 1) - 250</li> </ul>	
6	<ul style="list-style-type: none"> <li>● PISTON PIN EC250 ME25616125 (u. 1)</li> </ul>	
7	<ul style="list-style-type: none"> <li>● TORICA CULATA EXT.107.67x1.78 ME25916060 (u. 1)</li> </ul>	<b>OBSELETE</b>
	<ul style="list-style-type: none"> <li>● OUTER CYLINDER HEAD OÆRING 0/000.490.9109 (u. 1)</li> </ul>	

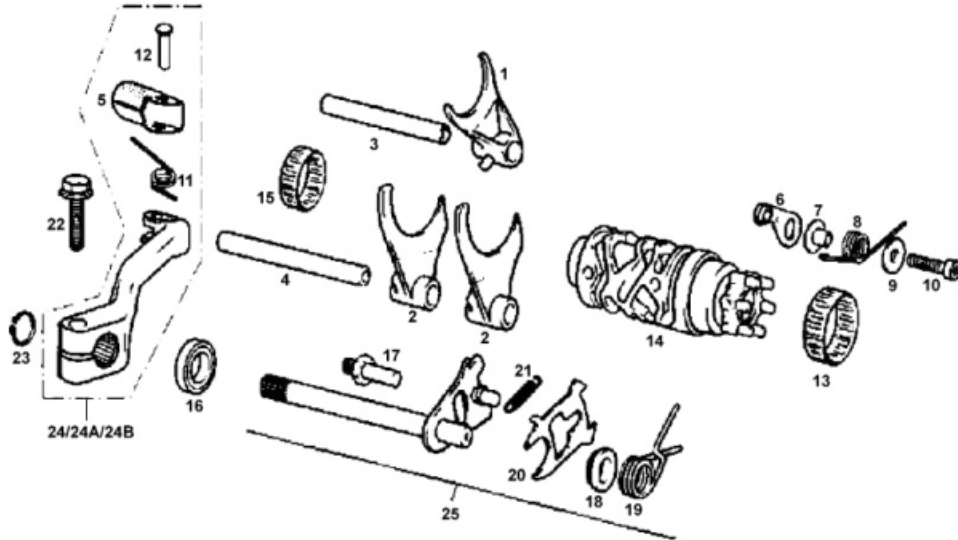


8	<ul style="list-style-type: none"> <li>TORICA CULATA INT.VITON 72.7x1.78 ME25916065 (u. 1) - 250</li> </ul>	OBSOLETE
	<ul style="list-style-type: none"> <li>INNER CYLINDER HEAD O/RING 75.92X1 0/000.490.9111 (u. 1)</li> </ul>	
	<ul style="list-style-type: none"> <li>INNER CYLINDER HEAD O/RING EC200 0/000.490.9110 (u. 1)</li> </ul>	
9	<ul style="list-style-type: none"> <li>TORICA CULATA INTER.75.92X1.78 VITON ME30916065 (u. 1) - 300</li> </ul>	OBSOLETE
	<ul style="list-style-type: none"> <li>CARTER BREATH TUBE (55cm) ME25610022 (u. 1)</li> </ul>	
10	<ul style="list-style-type: none"> <li>CIL.TT 99 ME25916022 (u. 1) - 250</li> </ul>	OBSOLETE
	<ul style="list-style-type: none"> <li>CIL.EC 300C.C.2013 ME700003013 (u. 1)</li> </ul>	OBSOLETE
	<ul style="list-style-type: none"> <li>CIL.EC 250 C.C.2013 ME700002513 (u. 1)</li> </ul>	OBSOLETE
	<ul style="list-style-type: none"> <li>CIL.EC300-2002 ME300216022 (u. 1) - 300</li> </ul>	OBSOLETE
	<ul style="list-style-type: none"> <li>CYLINDER EC 300 2018 ME70000GG-CLJ-1 (u. 1)</li> </ul>	
11	<ul style="list-style-type: none"> <li>TUERCA CIL.8.8 ESP.10/150 C13 =ME2561603 M01613001 (u. 1)</li> </ul>	OBSOLETE
	<ul style="list-style-type: none"> <li>CYLINDER BASE NUT 8.8 10X1.5 ZINC 0/000.340.9105 (u. 1)</li> </ul>	
12	<ul style="list-style-type: none"> <li>TORN.ESP.+ARAND.5x15 ZI T0205015 (u. 1)</li> </ul>	OBSOLETE
	<ul style="list-style-type: none"> <li>HEAD SCREW 5x15 DIN 6921 GEOMET 10.9 0/000.460.9115 (u. 1)</li> </ul>	
13	<ul style="list-style-type: none"> <li>LEFT VALVE COVER ME25610003 (u. 1)</li> </ul>	
14	<ul style="list-style-type: none"> <li>LEFT VALVE COVER GASKET ME25644006 (u. 1)</li> </ul>	
15	<ul style="list-style-type: none"> <li>CYLINDER GASKET 015 ME25644010 (u. 1)</li> </ul>	
16	<ul style="list-style-type: none"> <li>CYLINDER GASKET 05 ME25644000 (u. 1)</li> </ul>	
	<ul style="list-style-type: none"> <li>CYLINDER GASKET 03 ME25644009 (u. 1)</li> </ul>	
17	<ul style="list-style-type: none"> <li>EXHAUST GASKET ME25644012 (u. 1)</li> </ul>	
18_	<ul style="list-style-type: none"> <li>ULS BOLT 6X10 ME25710012 (u. 1)</li> </ul>	
	<ul style="list-style-type: none"> <li>DESVAP.CARTER D.3 =M01032001 ME25610012 (u. 1)</li> </ul>	OBSOLETE
	<ul style="list-style-type: none"> <li>CRANKCASE VENT NIPPLE D.3 0/000.630.9105 (u. 1)</li> </ul>	
18	<ul style="list-style-type: none"> <li>DESVAP.CARTER D.3=ME25610012 M01032001 (u. 1)</li> </ul>	OBSOLETE
	<ul style="list-style-type: none"> <li>ULS BOLT 6X10 ME25710012 (u. 1)</li> </ul>	
19	<ul style="list-style-type: none"> <li>ARANDELA FIBRA 6X10X1.5 T4006010 (u. 1)</li> </ul>	OBSOLETE
	<ul style="list-style-type: none"> <li>Fiber Washer, 6X10X1.5 0/000.440.9123 (u. 1)</li> </ul>	
20	<ul style="list-style-type: none"> <li>ALUMINIUM EXHAUST PIPE ME250516019 (u. 1)</li> </ul>	

	<ul style="list-style-type: none"> <li>● Allen Bolt 6x20 T0306020 (u. 1)</li> </ul>	<b>OBSOLETE</b>
	<ul style="list-style-type: none"> <li>● METRIC SCREW 6 x 22 0/000.460.0310 (u. 1)</li> </ul>	
21	<ul style="list-style-type: none"> <li>● TORN.ESP.6x20 10.9 ZINC.(CEX) T0206020 (u. 1)</li> </ul>	<b>OBSOLETE</b>
	<ul style="list-style-type: none"> <li>● BOLT 6x20 DIN 6921 GEOMET 10.9 0/000.460.9120 (u. 1)</li> </ul>	
	<ul style="list-style-type: none"> <li>● METRIC SCREW 6 x 22 0/000.460.0310 (u. 1)</li> </ul>	
22	<ul style="list-style-type: none"> <li>● GASKET COVER THERMOSTAT EC 250 ME250344011 (u. 1)</li> </ul>	
23	<ul style="list-style-type: none"> <li>● THERMOSTAT COVER ME250316001 (u. 1)</li> </ul>	<b>OBSOLETE</b>
	<ul style="list-style-type: none"> <li>● RIGHT VALVE COVER EC 0/000.350.9108 (u. 1)</li> </ul>	
24	<ul style="list-style-type: none"> <li>● TAPA VALV.DCH.TT 250 ME25610002 (u. 1)</li> </ul>	<b>OBSOLETE</b>
	<ul style="list-style-type: none"> <li>● RIGHT VALVE COVER GASKET 1MM ME25644007 (u. 1)</li> </ul>	<b>OBSOLETE</b>
25	<ul style="list-style-type: none"> <li>● JUNTA TAPA VALVULA RH MR 0/000.490.9124 (u. 1)</li> </ul>	
26	<ul style="list-style-type: none"> <li>● TORX ULS SCREW 6X14 T0566014 (u. 1)</li> </ul>	
27	<ul style="list-style-type: none"> <li>● Exhaust Oring Pampera BE250526006 (u. 1)</li> </ul>	
28	<ul style="list-style-type: none"> <li>● LONG EXHAUST VALVE AXIS 93MM ME25616027 (u. 1)</li> </ul>	
29	<ul style="list-style-type: none"> <li>● HORT EXHAUST VALVE AXIS 83MM ME25616017 (u. 1)</li> </ul>	
30	<ul style="list-style-type: none"> <li>● CENTRAL EXHAUST VALVE EC250300 ME25616015 (u. 1)</li> </ul>	
31	<ul style="list-style-type: none"> <li>● RIGHT EXHAUST VALVE ME25616016 (u. 1)</li> </ul>	
32	<ul style="list-style-type: none"> <li>● LEFT EXHAUST VALVE ME25616014 (u. 1)</li> </ul>	
33	<ul style="list-style-type: none"> <li>● ALLEN 5x12 T0305012 (u. 1)</li> </ul>	<b>OBSOLETE</b>
	<ul style="list-style-type: none"> <li>● ARANDELA 5X12X1.5 T4005012 (u. 1)</li> </ul>	<b>OBSOLETE</b>
34	<ul style="list-style-type: none"> <li>● WASHER 5x12x1.5 DIN 125A ZINC 0/000.440.9121 (u. 1)</li> </ul>	
35	<ul style="list-style-type: none"> <li>● EXHAUST VALVE BRACKET SET ME25616050 (u. 1)</li> </ul>	
36	<ul style="list-style-type: none"> <li>● SEP.COJINETE VAL.ESCAPE ME25916048 (u. 1)</li> </ul>	<b>OBSOLETE</b>
	<ul style="list-style-type: none"> <li>● BEARING 6000 C3Z=M03313001 0/000.960.9107 (u. 1)</li> </ul>	
37	<ul style="list-style-type: none"> <li>● RODAM.BOMBA AGUA 6000C3Z =M03313001 ME25610010 (u. 1)</li> </ul>	<b>OBSOLETE</b>
38	<ul style="list-style-type: none"> <li>● EXHAUST VALVE BEARING SPACER ME25616036 (u. 1)</li> </ul>	
	<ul style="list-style-type: none"> <li>● ARANDELA DE 8X16X1,5 T4008016 (u. 1)</li> </ul>	<b>OBSOLETE</b>
39	<ul style="list-style-type: none"> <li>● REAR CHASSIS ATTACHMENT WASHER 0/000.440.0160 (u. 1)</li> </ul>	

40	<ul style="list-style-type: none"> <li>● RODA.EJE CENTRI.Y BOMBA 608.Z.C3 ME25616032 (u. 1)</li> </ul>	OBSOLETE
	<ul style="list-style-type: none"> <li>● 508Z BEARING 0/000.960.9108 (u. 1)</li> </ul>	
41	<ul style="list-style-type: none"> <li>● ARANDELA COBRE 6x10x1.5 TAPA TERMOSTATO ME25916002 (u. 1)</li> </ul>	OBSOLETE
	<ul style="list-style-type: none"> <li>● HEAD BOLT WASHE 6x10x1.5 0/000.440.9122 (u. 1)</li> </ul>	
	<ul style="list-style-type: none"> <li>● ARANDELA COBRE 6X10X1.5 TORN.VAC.AGUA CI T4006008 (u. 1)</li> </ul>	
42	<ul style="list-style-type: none"> <li>● ALLEN 6X10 8.8 BOB. T0306010 (u. 1)</li> </ul>	OBSOLETE
	<ul style="list-style-type: none"> <li>● SCREW ALLEN 912 8.8 ZINC 6X10 0/000.460.2009 (u. 1)</li> </ul>	
43	<ul style="list-style-type: none"> <li>● ARANDELA 6X18X1.5 (DIN 9021) T4006018 (u. 1)</li> </ul>	OBSOLETE
	<ul style="list-style-type: none"> <li>● WASHER 6x18x1.5 ZINC 0/000.440.9126 (u. 1)</li> </ul>	
44	<ul style="list-style-type: none"> <li>● ARANDELA PLANA 6X12X1.5 (DIN 125) T4006012 (u. 1)</li> </ul>	OBSOLETE
	<ul style="list-style-type: none"> <li>● WASHER 6x12x1.5 DIN 125 ZINC 0/000.440.9124 (u. 1)</li> </ul>	
45	<ul style="list-style-type: none"> <li>● ARANDELA COBRE 8X12X1,5 TORN.VAC.CAM.PRE T4008012 (u. 1)</li> </ul>	OBSOLETE
	<ul style="list-style-type: none"> <li>● COPPER WASHER 8x12x1 DIN 125 A ISO 7089 0/000.440.9128 (u. 1)</li> </ul>	
49	<ul style="list-style-type: none"> <li>● VALV.ESCAPE IZQ.HOMOL.EC2006 ME25616014H (u. 1)</li> </ul>	OBSOLETE
50	<ul style="list-style-type: none"> <li>● CTO.CIL.EC 300 AMB VALV.ESC ME300216022CT (u. 1) - 300</li> </ul>	OBSOLETE
	<ul style="list-style-type: none"> <li>● CYLINDER KIT EC250 2015 ME70000CT-CEB-1 (u. 1)</li> </ul>	
	<ul style="list-style-type: none"> <li>● CTO.CIL.EC 250 AMB VALV.ESC ME25916022CT (u. 1) - 250</li> </ul>	

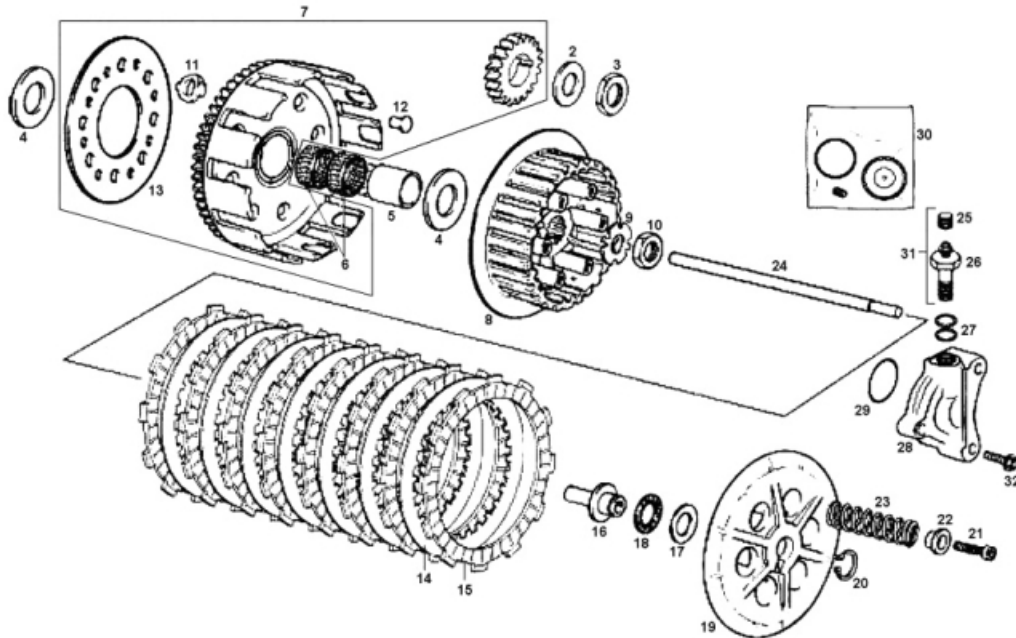
**Eje de cambio**



1	<ul style="list-style-type: none"> <li>HORQ.5-6</li> <li>0/005.330.9101 (u. 1)</li> </ul>	OBSOLETE
	<ul style="list-style-type: none"> <li>HORQ.5-6</li> <li>ME25636009 (u. 1)</li> </ul>	OBSOLETE
	<ul style="list-style-type: none"> <li>SET PRIMA. AND SECOND ENDURO 2018</li> <li>ME47000CT-CLJ-1 (u. 1)</li> </ul>	
2	<ul style="list-style-type: none"> <li>HORQ.1-2-3-4</li> <li>ME25636008 (u. 1)</li> </ul>	OBSOLETE
	<ul style="list-style-type: none"> <li>HORQ.1-2-3-4</li> <li>0/005.330.9100 (u. 1)</li> </ul>	OBSOLETE
	<ul style="list-style-type: none"> <li>SET PRIMA. AND SECOND ENDURO 2018</li> <li>ME47000CT-CLJ-1 (u. 1)</li> </ul>	
3	<ul style="list-style-type: none"> <li>EJE HORQ.CORTO</li> <li>ME25636045 (u. 1)</li> </ul>	OBSOLETE
	<ul style="list-style-type: none"> <li>SHORT FORK AXIS 5-6</li> <li>0/000.190.9107 (u. 1)</li> </ul>	
4	<ul style="list-style-type: none"> <li>FORK AXIS 1-2-3-4</li> <li>0/000.190.9106 (u. 1)</li> </ul>	
	<ul style="list-style-type: none"> <li>EJE HORQ.LARGO</li> <li>ME25636044 (u. 1)</li> </ul>	OBSOLETE
5	<ul style="list-style-type: none"> <li>TRIAL GEAR LEVEL</li> <li>ME25636027 (u. 1)</li> </ul>	
6	<ul style="list-style-type: none"> <li>GEAR LEVER END</li> <li>0/005.560.9100 (u. 1)</li> </ul>	
	<ul style="list-style-type: none"> <li>FIJADOR MARCHAS EC-2000</li> <li>ME250036033 (u. 1)</li> </ul>	OBSOLETE
	<ul style="list-style-type: none"> <li>FIJADOR MARCHAS EC COMP.</li> <li>ME250036033CT (u. 1)</li> </ul>	OBSOLETE

7	<ul style="list-style-type: none"> <li>GEAR BUSHING 0/000.480.9122 (u. 1)</li> </ul>	
	<ul style="list-style-type: none"> <li>CASQU.PLATINA FIJ.MARCHAS ME25636047 (u. 1)</li> </ul>	OBSOLETE
8	<ul style="list-style-type: none"> <li>MUELLE FIJADOR MARCHAS EC-2000 ME250036034 (u. 1)</li> </ul>	OBSOLETE
	<ul style="list-style-type: none"> <li>GEAR FASTEN SPRING 0/000.470.9108 (u. 1)</li> </ul>	
9	<ul style="list-style-type: none"> <li>ARANDELA PLANA 6.5X16X1.5 T4006016 (u. 1)</li> </ul>	OBSOLETE
	<ul style="list-style-type: none"> <li>WASHER 6x16x1.5 DIN 125 ZINC 0/000.440.9125 (u. 1)</li> </ul>	
10	<ul style="list-style-type: none"> <li>Allen Bolt 6x25 (clutch cover) T0306025 (u. 1)</li> </ul>	
11	<ul style="list-style-type: none"> <li>BRAKE PEDAL END SPRING ME25636029 (u. 1)</li> </ul>	
12	<ul style="list-style-type: none"> <li>RIVOT PEDAL END ME25636030 (u. 1)</li> </ul>	
13	<ul style="list-style-type: none"> <li>SHIFT CAM BEARING 0/000.960.9110 (u. 1)</li> </ul>	
	<ul style="list-style-type: none"> <li>ROD.DESMO.HK3512=M03650000 ME25636054 (u. 1)</li> </ul>	OBSOLETE
14	<ul style="list-style-type: none"> <li>DESMODROMICO EC-2005 ME250536031 (u. 1)</li> </ul>	OBSOLETE
	<ul style="list-style-type: none"> <li>SHIFT CAM EC 0/005.090.9100 (u. 1)</li> </ul>	
15	<ul style="list-style-type: none"> <li>SHIFT CAM BEARING 0/000.960.9111 (u. 1)</li> </ul>	
	<ul style="list-style-type: none"> <li>RODAM.DESMODROMICO HK2512 =M03645000 ME25636055 (u. 1)</li> </ul>	OBSOLETE
16	<ul style="list-style-type: none"> <li>RETEN SELEC.12-22-7 AS-CC =M03821000 ME25636048 (u. 1)</li> </ul>	OBSOLETE
	<ul style="list-style-type: none"> <li>SEAL 12227 0/000.890.9107 (u. 1)</li> </ul>	
17	<ul style="list-style-type: none"> <li>TORN.CENTR.MUELLE SELEC. ME25636042 (u. 1)</li> </ul>	OBSOLETE
	<ul style="list-style-type: none"> <li>SELECTOR SPRING SCREW 0/000.460.9110 (u. 1)</li> </ul>	
18	<ul style="list-style-type: none"> <li>SCORPION CENTRER BUSHING ME250236041 (u. 1)</li> </ul>	
19	<ul style="list-style-type: none"> <li>SELECTOR SPRING ME25636035 (u. 1)</li> </ul>	
20	<ul style="list-style-type: none"> <li>SCORPION ME250236036 (u. 1)</li> </ul>	
21	<ul style="list-style-type: none"> <li>SCORPION SPRING ME25636039 (u. 1)</li> </ul>	
22	<ul style="list-style-type: none"> <li>BOLT 6x20 DIN 6921 GEOMET 10.9 0/000.460.9120 (u. 1)</li> </ul>	
	<ul style="list-style-type: none"> <li>TORN.ESP.6x20 10.9 ZINC.(CEX) T0206020 (u. 1)</li> </ul>	OBSOLETE
23	<ul style="list-style-type: none"> <li>SEEGER 12X1 EXT.EJE SELEC. ME25636043 (u. 1)</li> </ul>	OBSOLETE
	<ul style="list-style-type: none"> <li>SEEGER 12X1 0/000.300.9104 (u. 1)</li> </ul>	

24	<ul style="list-style-type: none"> <li>● PEDAL CAMBIO EC125-2003 ME120336026 (u. 1)</li> </ul>	<b>OBSOLETE</b>
	<ul style="list-style-type: none"> <li>● GEAR LEVER SET RF2014 0/005.430.9100 (u. 1)</li> </ul>	
24_	<ul style="list-style-type: none"> <li>● GOLDGEAR LEVER EC 2T ME120336026G (u. 1)</li> </ul>	<b>OBSOLETE</b>
	<ul style="list-style-type: none"> <li>● GEAR LEVER SET RF2014 0/005.430.9100 (u. 1)</li> </ul>	
	<ul style="list-style-type: none"> <li>● PEDAL CAMBIO EC125-2003 ME120336026 (u. 1)</li> </ul>	<b>OBSOLETE</b>
	<ul style="list-style-type: none"> <li>● RED GEAR LEVER EC 2T ME120336026R (u. 1)</li> </ul>	
25	<ul style="list-style-type: none"> <li>● EJE SELEC.COMP.EC250 ME250236038CT (u. 1)</li> </ul>	<b>OBSOLETE</b>
	<ul style="list-style-type: none"> <li>● GEAR FASTEN SET 0/005.010.9100 (u. 1)</li> </ul>	

**EMBRAGUE**


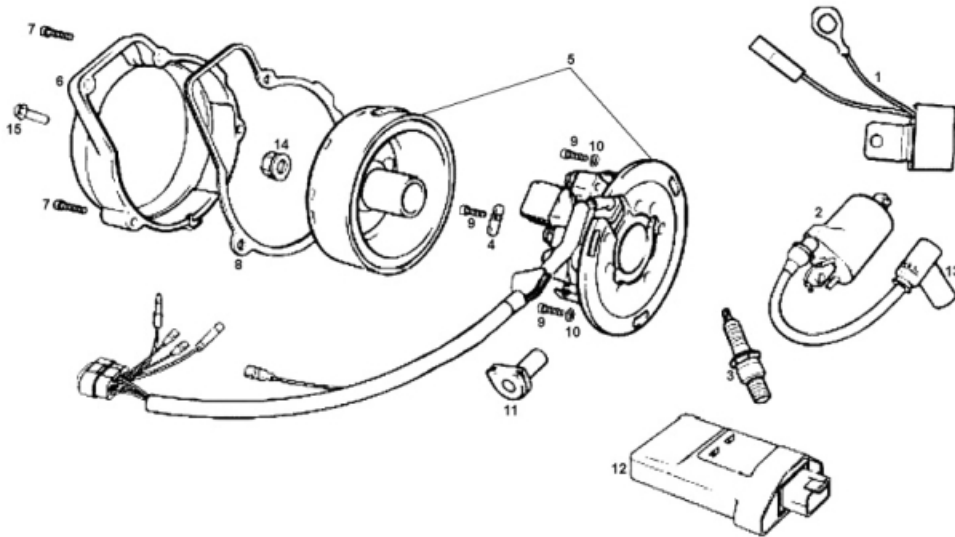
2	<ul style="list-style-type: none"> <li>● WASHER DIN 125 D-20 ZINC 40-42HRC 0/000.440.9108 (u. 1)</li> </ul>	
	<ul style="list-style-type: none"> <li>● ARAN.BISEL.D.20 / 125-B-M 5.6 PULIDA PIÑ ME25632019 (u. 1)</li> </ul>	<b>OBSOLETE</b>
3	<ul style="list-style-type: none"> <li>● TUERCA BLOCAJE PIÑON CIGUEÑAL EC-2000 ME250032018 (u. 1)</li> </ul>	<b>OBSOLETE</b>
	<ul style="list-style-type: none"> <li>● CRANK SHAFT PINION LOCKING NUT EC 0/000.340.9106 (u. 1)</li> </ul>	
4	<ul style="list-style-type: none"> <li>● CLUTCH 2T BELL WASHER 0/000.440.9106 (u. 1)</li> </ul>	
	<ul style="list-style-type: none"> <li>● ARAN.CAMPANA EMBRAG.22.1X42X2.8 ME25632011 (u. 1)</li> </ul>	<b>OBSOLETE</b>
5	<ul style="list-style-type: none"> <li>● CASQ.CAMPANA EMBR. ME25632012 (u. 1)</li> </ul>	<b>OBSOLETE</b>
	<ul style="list-style-type: none"> <li>● PRIMARY DRIVEN GEAR BUSHING 0/000.480.9121 (u. 1)</li> </ul>	
6	<ul style="list-style-type: none"> <li>● PRIMARY DRIVEN GEAR BEARING 0/000.980.9113 (u. 1)</li> </ul>	
	<ul style="list-style-type: none"> <li>● COJI.CAMP.EMB.K28X33X13FV-M1 M3 ME25632029 (u. 1)</li> </ul>	<b>OBSOLETE</b>
7	<ul style="list-style-type: none"> <li>● COMPLETE CLUTCH BASKE-GEAR EC 0/005.400.9104 (u. 1)</li> </ul>	
	<ul style="list-style-type: none"> <li>● CTO.CORONA EMBR.ENDURO 250-2004 ME250432003CT (u. 1)</li> </ul>	<b>OBSOLETE</b>
	<ul style="list-style-type: none"> <li>● CTO.CORONA EMBR.ENDURO 250-300 2014 ME21000CT-CAB-1 (u. 1)</li> </ul>	<b>OBSOLETE</b>

8	<ul style="list-style-type: none"> <li>● CUBO EMBR.4541A ME25632005 (u. 1)</li> </ul>	<b>OBSOLETE</b>
	<ul style="list-style-type: none"> <li>● CTO.CUBO EMBR.ENDURO 2018 ME22005CT-CLJ-1 (u. 1)</li> </ul>	<b>OBSOLETE</b>
	<ul style="list-style-type: none"> <li>● SET BASKET CLUTCHENDURO 2018 0/005.350.9100 (u. 1)</li> </ul>	
9	<ul style="list-style-type: none"> <li>● CLUTCH LOCK WASHER ME25632022 (u. 1)</li> </ul>	
10	<ul style="list-style-type: none"> <li>● TUERCA FIJ.CUBO EMB. ME25632028 (u. 1)</li> </ul>	<b>OBSOLETE</b>
	<ul style="list-style-type: none"> <li>● CLUTCH BOSS NUT 0/000.340.9107 (u. 1)</li> </ul>	
11	<ul style="list-style-type: none"> <li>● SILENTBLOCK ME20932008 (u. 1)</li> </ul>	
12	<ul style="list-style-type: none"> <li>● PRIMARY DRIVEN GEAR RIVETS ME250132010 (u. 1)</li> </ul>	
13	<ul style="list-style-type: none"> <li>● CLUTCH BOSS WASHER ME20932009 (u. 1)</li> </ul>	
14	<ul style="list-style-type: none"> <li>● IRON CLUTCH DISK ME25632037 (u. 1)</li> </ul>	<b>OBSOLETE</b>
	<ul style="list-style-type: none"> <li>● IRON CLUTCH DISK ME22105GG-CLJ-1 (u. 1)</li> </ul>	
15	<ul style="list-style-type: none"> <li>● COVERED CLUTCH DISK ME22100GG-CLJ-1 (u. 1)</li> </ul>	
	<ul style="list-style-type: none"> <li>● COVERED CLUTCH DISK ME25632007 (u. 1)</li> </ul>	
16	<ul style="list-style-type: none"> <li>● BOLET CLUTCHEC 2012 ME20000013011 (u. 1)</li> </ul>	
17	<ul style="list-style-type: none"> <li>● PLACA AGUJA ROD. BOLET Y VAL. ESCAPE AS 15 ME25632016 (u. 1)</li> </ul>	<b>OBSOLETE</b>
	<ul style="list-style-type: none"> <li>● BEARING WASHER 0/000.440.9107 (u. 1)</li> </ul>	
18	<ul style="list-style-type: none"> <li>● JAULA AGUJA VALV. ESCAPE AXK 1528 ME25632046 (u. 1)</li> </ul>	<b>OBSOLETE</b>
	<ul style="list-style-type: none"> <li>● NEEDLES BEARING AXK 1528 0/000.960.9109 (u. 1)</li> </ul>	
19	<ul style="list-style-type: none"> <li>● CLUTCH PRESSURE PLATE ME20000003011 (u. 1)</li> </ul>	
20	<ul style="list-style-type: none"> <li>● CLUTCH AXLE SEEGER 15 ME25632017 (u. 1)</li> </ul>	
21	<ul style="list-style-type: none"> <li>● TORN.ESP.6x20 10.9 ZINC.(CEX) T0206020 (u. 1)</li> </ul>	<b>OBSOLETE</b>
	<ul style="list-style-type: none"> <li>● BOLT 6x20 DIN 6921 GEOMET 10.9 0/000.460.9120 (u. 1)</li> </ul>	
	<ul style="list-style-type: none"> <li>● Allen Bolt 6x20 T0306020 (u. 1)</li> </ul>	<b>OBSOLETE</b>
	<ul style="list-style-type: none"> <li>● METRIC SCREW 6 x 22 0/000.460.0310 (u. 1)</li> </ul>	
	<ul style="list-style-type: none"> <li>● METRIC SCREW 6 x 22 0/000.460.0310 (u. 1)</li> </ul>	
22	<ul style="list-style-type: none"> <li>● ALUMINIUM CLUTCH SPRING BUSHING ME250032020 (u. 1)</li> </ul>	
23	<ul style="list-style-type: none"> <li>● CLUTCH SPRING ME25632015 (u. 1)</li> </ul>	



24	<ul style="list-style-type: none"> <li>● CLUTCH ROD 0/000.190.9105 (u. 1)</li> </ul>	
	<ul style="list-style-type: none"> <li>● VARILLA EMBR. ME25632040 (u. 1)</li> </ul>	<b>OBSOLETE</b>
25	<ul style="list-style-type: none"> <li>● TAP.SANGRADOR TT BE25622055 (u. 1)</li> </ul>	<b>OBSOLETE</b>
	<ul style="list-style-type: none"> <li>● Bleeder Cap BT27922055 (u. 1)</li> </ul>	
26	<ul style="list-style-type: none"> <li>● Bleeder, Pro Rear Brake Caliper BE25622060 (u. 1)</li> </ul>	
27	<ul style="list-style-type: none"> <li>● HOSE WASHER 10X4X1 BE25622007 (u. 1)</li> </ul>	
28	<ul style="list-style-type: none"> <li>● HYDRAULIC CLUTCH CALIPER ME25632026 (u. 1)</li> </ul>	
29	<ul style="list-style-type: none"> <li>● CLUTCH PUMP OÆRING ME25632024 (u. 1)</li> </ul>	
30	<ul style="list-style-type: none"> <li>● KIT REPARACION BOMBIN EMBR.ACEITE BE250622050 (u. 1)</li> </ul>	<b>OBSOLETE</b>
	<ul style="list-style-type: none"> <li>● BOMBIN EMBRAGUE ME250632026 (u. 1)</li> </ul>	<b>OBSOLETE</b>
31	<ul style="list-style-type: none"> <li>● Banjo Bolt/ Bleeder (clutch) BT280522106 (u. 1)</li> </ul>	
	<ul style="list-style-type: none"> <li>● RACORD PINZA EMBR.HIDRAU M01060000 (u. 1)</li> </ul>	<b>OBSOLETE</b>
32	<ul style="list-style-type: none"> <li>● TORN.ESP.6x20 10.9 ZINC.(CEX) T0206020 (u. 1)</li> </ul>	<b>OBSOLETE</b>
	<ul style="list-style-type: none"> <li>● BOLT 6x20 DIN 6921 GEOMET 10.9 0/000.460.9120 (u. 1)</li> </ul>	

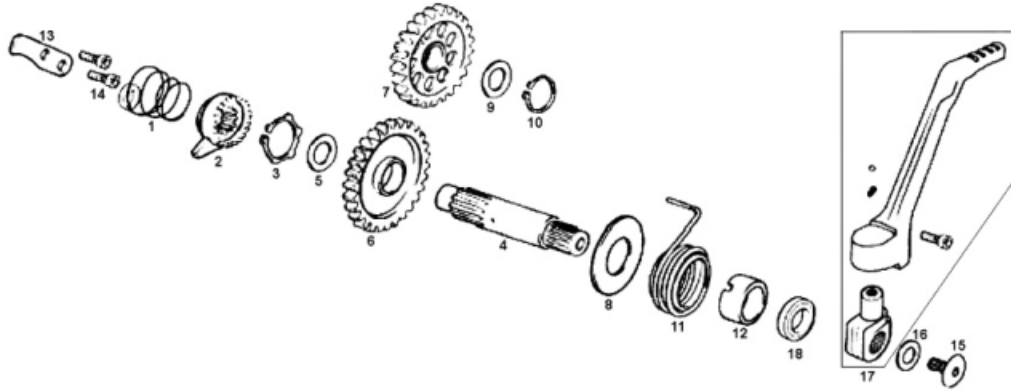
## Generador



1	<ul style="list-style-type: none"> <li>● Voltage Regulator Ducati L300031 (u. 1)</li> </ul>	
2	<ul style="list-style-type: none"> <li>● KOKUSAN IGNITION COIL ME250434006 (u. 1)</li> </ul>	
3	<ul style="list-style-type: none"> <li>● SPARK PLUG DENSO W24ESRU 0/005.110.9101 (u. 1)</li> </ul>	
	<ul style="list-style-type: none"> <li>● BUJIA W24ESRU ME25934000 (u. 1)</li> </ul>	<b>OBSOLETE</b>
4	<ul style="list-style-type: none"> <li>● CENTRAJE ENCENDIDO ME25934025 (u. 1)</li> </ul>	<b>OBSOLETE</b>
5	<ul style="list-style-type: none"> <li>● MAGNETO KOKUSAN EE10000033012 (u. 1)</li> </ul>	
6	<ul style="list-style-type: none"> <li>● PLASTIC IGNITION COVER ME250510004 (u. 1)</li> </ul>	
7	<ul style="list-style-type: none"> <li>● TORN.ESP.6x40 Fil.20 T0206040 (u. 1)</li> </ul>	<b>OBSOLETE</b>
	<ul style="list-style-type: none"> <li>● HEAD SCREW 6x40 GEOMET 10.9 0/000.460.9125 (u. 1)</li> </ul>	
8	<ul style="list-style-type: none"> <li>● GNITION COVER GASKET ME250544004 (u. 1)</li> </ul>	
9	<ul style="list-style-type: none"> <li>● ALLEN 5X20 DRACOMET CEX 12.9 T0305020 (u. 1)</li> </ul>	<b>OBSOLETE</b>
	<ul style="list-style-type: none"> <li>● ARANDELA 5X12X1.5 T4005012 (u. 1)</li> </ul>	<b>OBSOLETE</b>
10	<ul style="list-style-type: none"> <li>● WASHER 5x12x1.5 DIN 125A ZINC 0/000.440.9121 (u. 1)</li> </ul>	
11	<ul style="list-style-type: none"> <li>● IGNITION RUBBER CAP ME25934014 (u. 1)</li> </ul>	

12	<ul style="list-style-type: none"><li>● CDI KOKUSAN CU7522 EC2006 ME250634007 (u. 1)</li></ul>	<b>OBSOLETE</b>
13	<ul style="list-style-type: none"><li>● PIPA BUJIA BE25934000 (u. 1)</li></ul>	<b>OBSOLETE</b>
	<ul style="list-style-type: none"><li>● SPARK PLUG CAP NGK 0/005.110.9100 (u. 1)</li></ul>	
14	<ul style="list-style-type: none"><li>● NUT M12x1.25 .ZINC DIN 6923 ZINC 0/000.340.9115 (u. 1)</li></ul>	
	<ul style="list-style-type: none"><li>● TUERCA VOLANTE EC400 4T M12x1.25 10.9 MFS400134011 (u. 1)</li></ul>	<b>OBSOLETE</b>

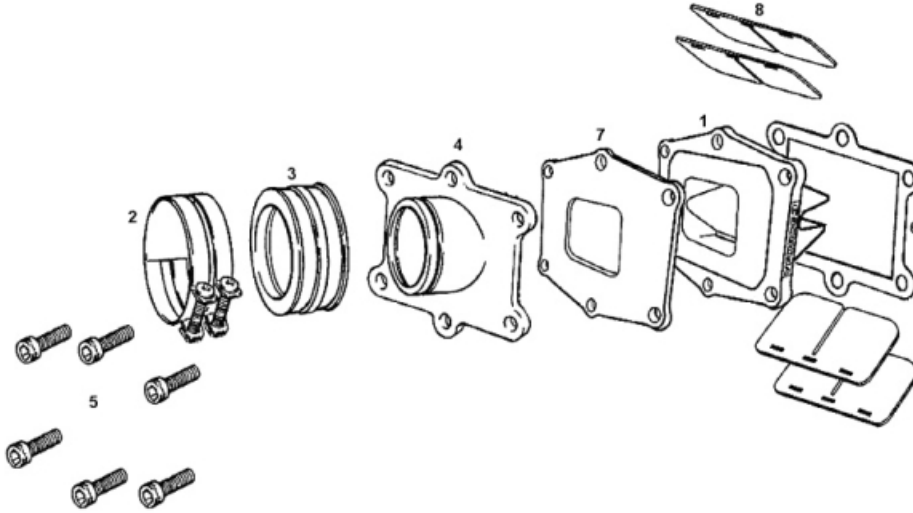
**Palanca de arranque**



1	<ul style="list-style-type: none"> <li>MUELLE TRINQUETE ARRANQUE ME25636006 (u. 1)</li> </ul>	OBSOLETE
	<ul style="list-style-type: none"> <li>KICKSTART SPRING 0/000.470.9109 (u. 1)</li> </ul>	
2	<ul style="list-style-type: none"> <li>TRINQUETE ARRANQUE EC125cc ME120126004 (u. 1)</li> </ul>	OBSOLETE
	<ul style="list-style-type: none"> <li>INNER KICKSTART GEAR 0/005.400.9110 (u. 1)</li> </ul>	
3	<ul style="list-style-type: none"> <li>CIRCLIP D.20 DIN 471 0/000.300.9105 (u. 1)</li> </ul>	OBSOLETE
	<ul style="list-style-type: none"> <li>SEEGER DE 20 ARRANQUE=M03615000 ME25636052 (u. 1)</li> </ul>	
4	<ul style="list-style-type: none"> <li>KICKSTARTER SHAFT 0/005.400.9106 (u. 1)</li> </ul>	OBSOLETE
	<ul style="list-style-type: none"> <li>EJE ARRANQUE EC-2001 ME250126003 (u. 1)</li> </ul>	
5	<ul style="list-style-type: none"> <li>END WASHER 27X202X1 0/000.440.9109 (u. 1)</li> </ul>	OBSOLETE
	<ul style="list-style-type: none"> <li>ARAN.TOPE 27X20.2X1 DESPL ARRAN. ME25636000 (u. 1)</li> </ul>	
6	<ul style="list-style-type: none"> <li>PIÑON ARRANQUE EC-2001 ME250126002 (u. 1)</li> </ul>	OBSOLETE
	<ul style="list-style-type: none"> <li>KICKDRIVE GEAR 0/005.400.9105 (u. 1)</li> </ul>	
7	<ul style="list-style-type: none"> <li>KICKSTART INNER PINION 0/005.400.9108 (u. 1)</li> </ul>	OBSOLETE
	<ul style="list-style-type: none"> <li>PIÑON INT.ARRANQUE EC-2008 ME880002508 (u. 1)</li> </ul>	

8	<ul style="list-style-type: none"> <li>● ARANDELA ARRANQUE 20X40X1 ME25636051 (u. 1)</li> </ul>	OBSOLETE
	<ul style="list-style-type: none"> <li>● KICKSTARTER WASHER 40x20,15x1 0/000.440.9111 (u. 1)</li> </ul>	
9	<ul style="list-style-type: none"> <li>● WASHER 241515X08 0/000.440.9110 (u. 1)</li> </ul>	OBSOLETE
	<ul style="list-style-type: none"> <li>● VOLANDERA PIÑON ARRAN.24X15.15X0.8 ME25636012 (u. 1)</li> </ul>	
10	<ul style="list-style-type: none"> <li>● CLUTCH AXLE SEEGER 15 ME25632017 (u. 1)</li> </ul>	
11	<ul style="list-style-type: none"> <li>● KICKSTARTER SPRING ME25636007 (u. 1)</li> </ul>	
12	<ul style="list-style-type: none"> <li>● KICKSTARTER SPRING BUSHING ME250136053 (u. 1)</li> </ul>	
13	<ul style="list-style-type: none"> <li>● PLATINA TRINQUETE ARRANQUE ME25636005 (u. 1)</li> </ul>	OBSOLETE
	<ul style="list-style-type: none"> <li>● KICKSTART RATCHET BRACKET 0/000.980.9114 (u. 1)</li> </ul>	
14	<ul style="list-style-type: none"> <li>● ALLEN 5x16 DRACOMET T0305016 (u. 1)</li> </ul>	OBSOLETE
	<ul style="list-style-type: none"> <li>● ALLEN 5x15 DRACOMET T0305015 (u. 1)</li> </ul>	
15	<ul style="list-style-type: none"> <li>● HEAD SCREW 5x15 DIN 6921 GEOMET 10.9 0/000.460.9115 (u. 1)</li> </ul>	OBSOLETE
	<ul style="list-style-type: none"> <li>● ALLEN 6X12 T0306012 (u. 1)</li> </ul>	
	<ul style="list-style-type: none"> <li>● TORN.6X12 HUELLA TORX ESP.ZI T0316012 (u. 1)</li> </ul>	
16	<ul style="list-style-type: none"> <li>● BAG 5 UNITS WASHER 0/000.440.0130B (u. 1)</li> </ul>	OBSOLETE
	<ul style="list-style-type: none"> <li>● Washer, 6x20x1.5 T4006020 (u. 1)</li> </ul>	
17	<ul style="list-style-type: none"> <li>● PEDAL ARRANQUE Y MUÑEQUILLA EC 250 4T 20 MFS890002510 (u. 1)</li> </ul>	OBSOLETE
	<ul style="list-style-type: none"> <li>● CTO.PEDAL ARRANQUE ME89000CT2511 (u. 1)</li> </ul>	
	<ul style="list-style-type: none"> <li>● KICKSTART PEDAL SET 0/005.430.9101 (u. 1)</li> </ul>	
18	<ul style="list-style-type: none"> <li>● KICKSTARTER OIL SEAL 20X30X7 ME25632021 (u. 1)</li> </ul>	OBSOLETE
	<ul style="list-style-type: none"> <li>● KICKSTARTER OIL SEAL 20X30X7 0/000.890.9105 (u. 1)</li> </ul>	

Válvula de láminas



1	<ul style="list-style-type: none"> <li>● REED VALVE ASSEMBLY EC250300 ME250616021 (u. 1)</li> </ul>	
2	<ul style="list-style-type: none"> <li>● CLAMP S56/9 W1 ZINC 0/000.680.9109 (u. 1)</li> <li>● ABRAZ.S56/9 W1 MT280316132 (u. 1)</li> </ul>	<b>OBSOLETE</b>
3	<ul style="list-style-type: none"> <li>● RUBBER RED BLOCK ASSY EC 20052006 ME250616131 (u. 1)</li> </ul>	
4	<ul style="list-style-type: none"> <li>● EURO 3 REED VALVE RUBBER ME250816135 (u. 1)</li> </ul>	
5	<ul style="list-style-type: none"> <li>● TORN.ESP.6X25(10.9) VALONA 11MM T0206025 (u. 1)</li> <li>● SPECIAL BOLT 6x25 DIN 6921 GEOMET 10.9 0/000.460.9121 (u. 1)</li> </ul>	<b>OBSOLETE</b>
6	<ul style="list-style-type: none"> <li>● REED VALVE GASKET EC250300 ME250644005 (u. 1)</li> </ul>	
7	<ul style="list-style-type: none"> <li>● GASKET SHEET BOX PIPE ME250644105 (u. 1)</li> </ul>	
8	<ul style="list-style-type: none"> <li>● SHEET VFORCE 3P682M ME250616041 (u. 1)</li> </ul>	